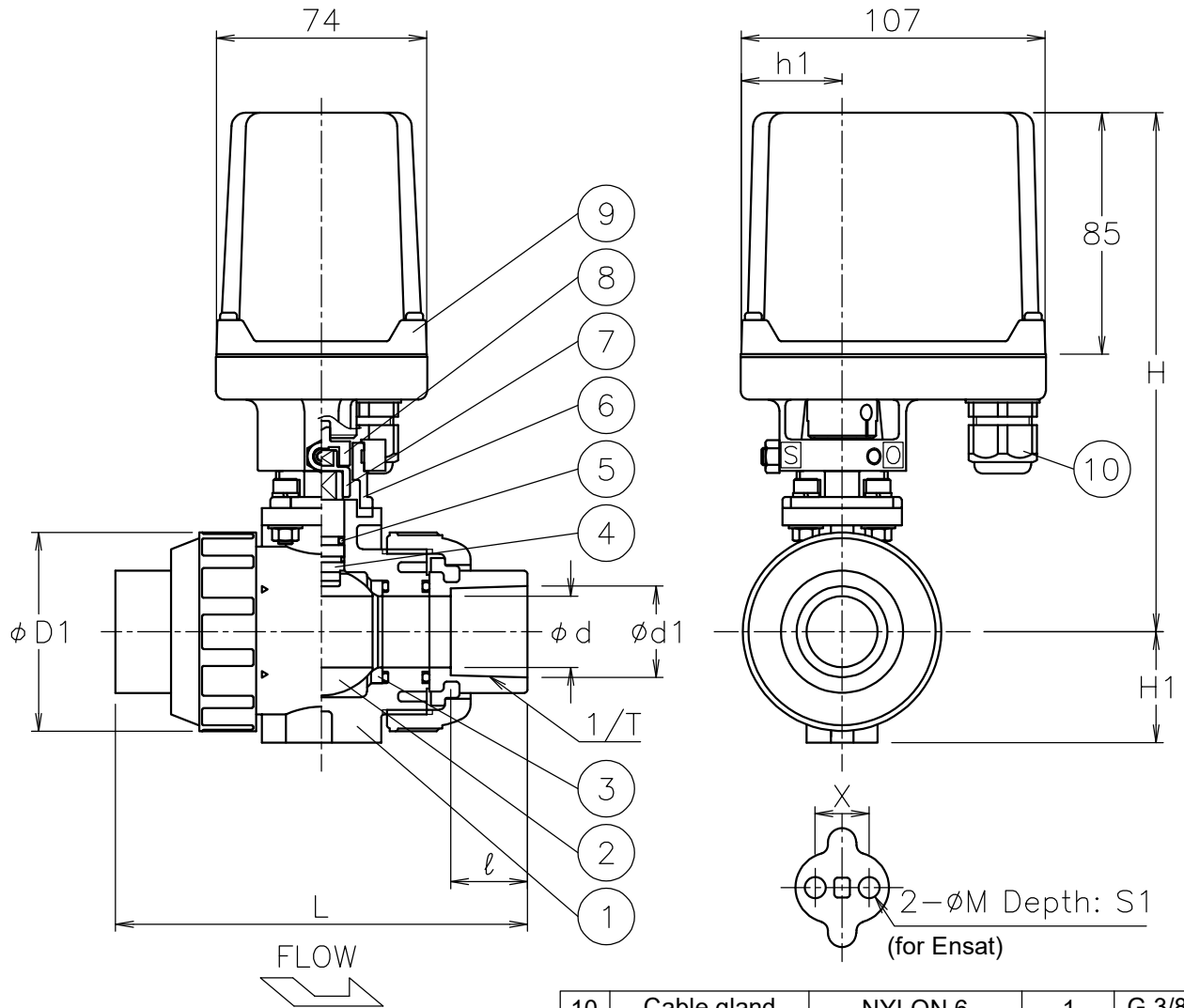



Size [mm]	d	D1	d1	ℓ	1/T	L	H1	X	M	S1	h1	H	Weight [kg]	Cv	Actuator	Sizing code
15	15	48	22.11	20	1/34	109	29	19	7.3	11	36	170	1.4	14	AH1-030	0
20	20	60	26.13	24	1/34	128	35	19	7.3	11	36	176	1.7	29	AH1-070	0
25	25	70	32.16	27	1/34	145	39	19	7.3	11	36	183	1.9	47	AH1-070	0
32	32	82	38.19	30	1/34	162	47	30	9	15	36	200	2.2	72	AH1-070	0
40	40	100	48.21	37	1/37	189	55	30	9	15	53	234	2.9	155	AH1-180	0



NOTE

- (a) Heat-resistant PVC
- (b) Cable acceptance 5ϕ to 10.5ϕ mm.

10	Cable gland	NYLON 6	1	G 3/8 (b)
9	Actuator	ADC12/PC Cover	1	
8	Joint	SUS304	1	
7	Joint	SCS13A	1	
6	Bracket	SCS13A	1	
5	O-ring	FKM	2	
4	Stem	C-PVC	1	(a)
3	Seat	PTFE	2	
2	Ball	C-PVC	1	(a)
1	Body	C-PVC	1	(a)
No	DESCRIPTION	MATERIALS	REQ'D	REMARKS

			APPR'D	H.F	TITLE	Socket-end PA type motorized ball valve				
			CHK'D	K.Y						
			DESIGN		MODEL	AH1PA*07HHV				
			DRAWN	S.O						
MARK	DATE	BY	DATE	'21-12-23	SCALE	NON	DWG No.	PA-07HHV-CM4-EN		
REVISIONS			 NIPPON VALVE CONTROLS, INC.							
MV-2947										