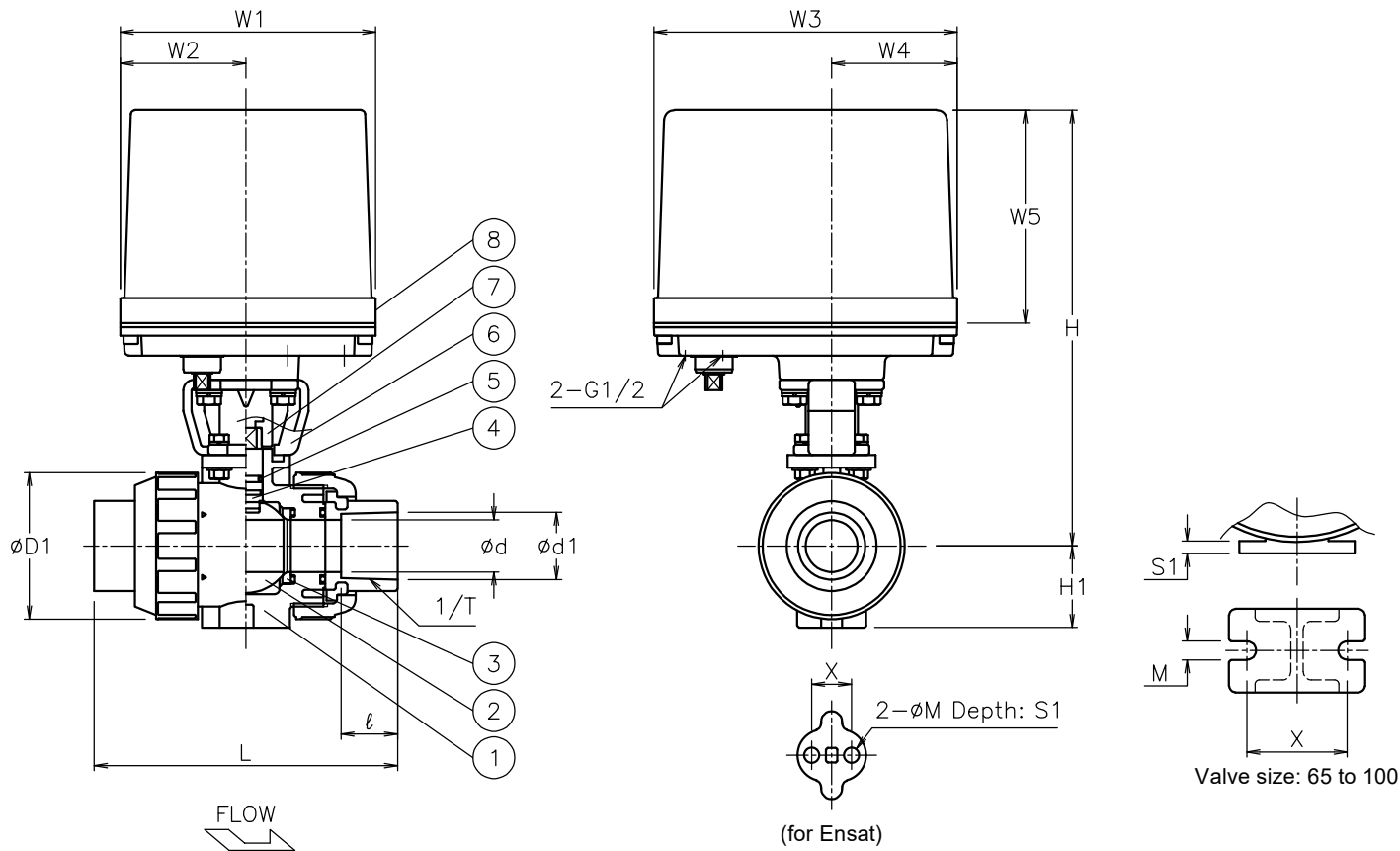


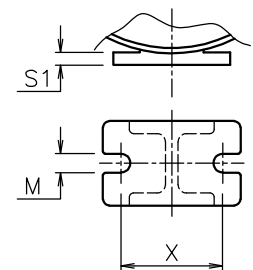
Size [mm]	d	D1	d1	ℓ	1/T	L	H1	X	M	S1	W1	W2	W3	W4	W5	H	Weight [kg]	Cv	Actuator		Sizing code
15	15	48	22.11	20	1/34	109	29	19	7.3	11	122	60	145	60	102	195	2.8	14	AE1-120	AE2-120	0
20	20	60	26.13	24	1/34	128	35	19	7.3	11	122	60	145	60	102	202	2.9	29	AE1-120	AE2-120	0
25	25	70	32.16	27	1/34	145	39	19	7.3	11	122	60	145	60	102	209	3.1	47	AE1-120	AE2-120	0
32	32	82	38.19	30	1/34	162	47	30	9	15	122	60	145	60	102	218	3.2	72	AE1-120	AE2-120	0
40	40	100	48.21	37	1/37	189	55	30	9	15	122	60	145	60	102	226	3.6	155	AE1-120	AE2-120	0
50	51	126	60.25	42	1/37	220	66	30	9	15	122	60	145	60	102	238	5	190	AE1-300	AE2-300	0
65	65	133	76.6	61	1/48	273	72	48	9	6	122	60	145	60	102	258	6	365	AE1-300	AE2-300	0
																			AE1-600	AE2-600	2
80	78	152	89.6	64	1/49	316	85	55	11	7	122	60	145	60	102	283	7.5	410	AE1-600	AE2-600	0
100	100	210	114.7	84	1/56	419	110	65	11	8	122	60	145	60	102	324	14	680	AE1-600	AE2-600	0
											160	97	175	63	115	373	20		AE1-02K	AE2-02K	2



More than Size 65
do not have a flow mark.

NOTE
(a) Heat-resistant PVC

ATTACHMENT
Cable gland (nylon), G1/2, for 6φ to 12φ cable.
Plug.



No	DESCRIPTION	MATERIALS	REQ'D	REMARKS
8	Actuator		1	
7	Joint	SCS13A/SUS303	1	
6	Bracket	SCS13A/SUS304	1	
5	O-ring	FKM	2	
4	Stem	C-PVC	1	(a)
3	Seat	PTFE	2	
2	Ball	C-PVC	1	(a)
1	Body	C-PVC	1	(a)

MARK	DATE	BY	DATE	'21-03-30	SCALE	NON	DWG No.	PA-*7HHV-AE4-EN
REVISIONS								
MV-2895								
				APPR'D	H.F	TITLE		
				CHK'D	K.Y	Socket-end		
				DESIGN		PA type electric actuated ball valve		
				DRAWN	S.O	MODEL		
						AE1PA**7HHV		
						AE2PA**7HHV		