

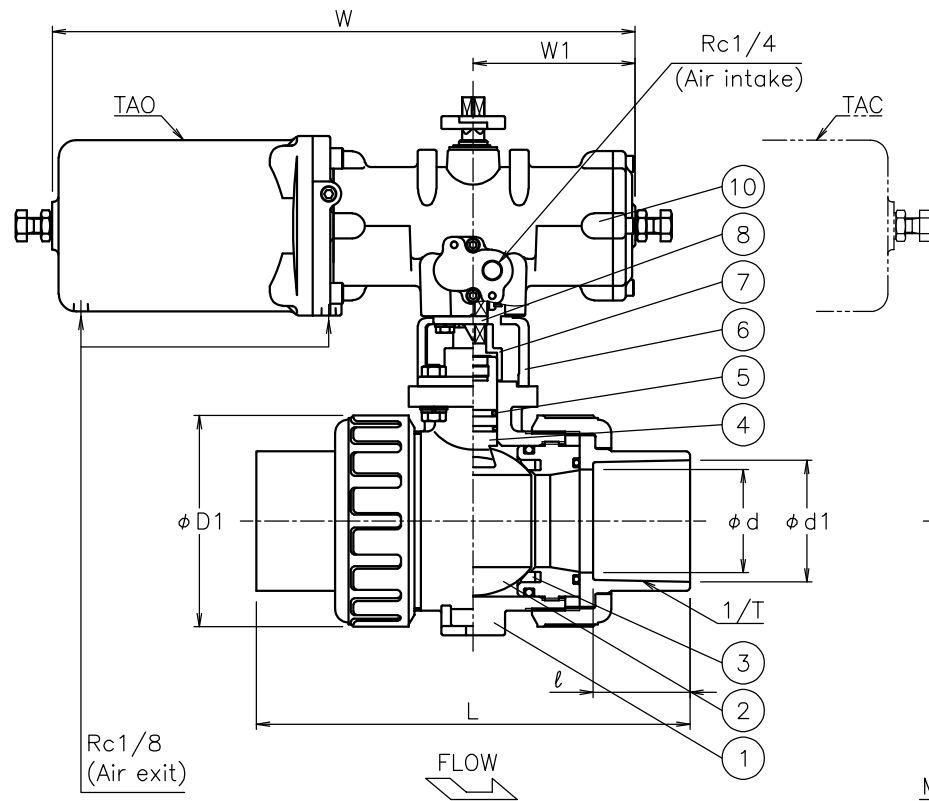
NOTE
(a) Heat-resistant PVC

- 1) Air supply: 0.4 to 0.5 Mpa. Max 0.7 Mpa.
- 2) Actuator operation

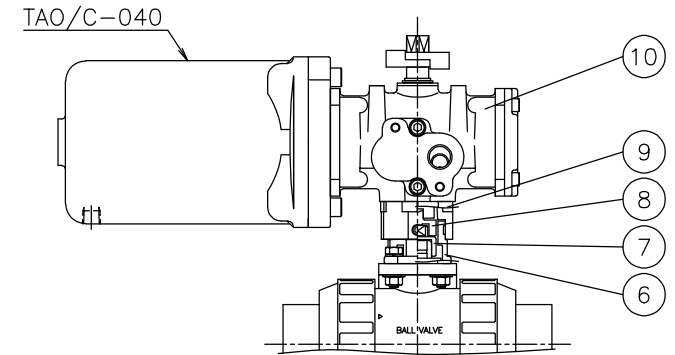
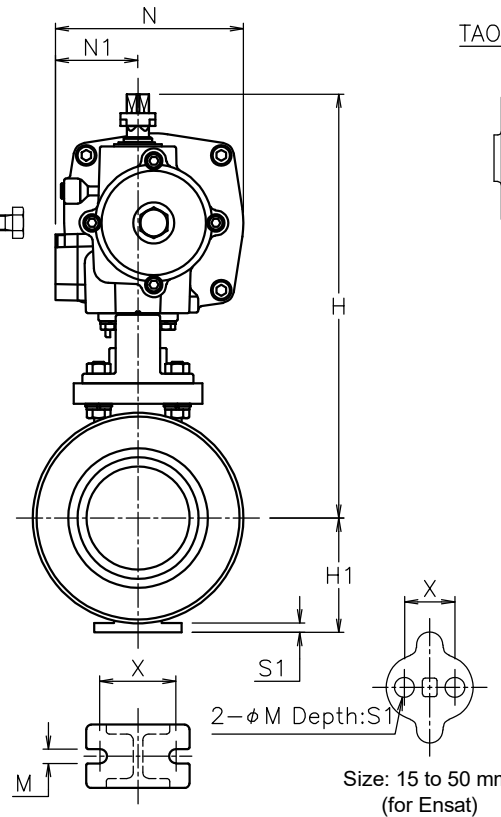
	Air to intake port	Spring return
TAO	OPEN	SHUT
TAC	SHUT	OPEN

* This drawing is TAO.
* Only TAC-040 has the same cylinder direction as TAO.

Size [mm]	d	D1	d1	ℓ	1/T	L	H1	X	M	S1	W	W1	N	N1	H	Weight [kg]	Cv	Actuator	Sizing code
15	15	48	22.11	20	1/34	109	29	19	7.3	11	249	55	92	46	153	2.8	14	TA*-040	0
20	20	60	26.13	24	1/34	128	35	19	7.3	11	249	55	92	46	160	2.9	29	TA*-040	0
											305	85	103	50	196	3.7		TA*-050	2
25	25	70	32.16	27	1/34	145	39	19	7.3	11	249	55	92	46	167	3.1	47	TA*-040	0
32	32	82	38.19	30	1/34	162	47	30	9	15	249	55	92	46	184	3.4	72	TA*-040	0
40	40	100	48.21	37	1/37	189	55	30	9	15	305	85	103	50	220	4.4	155	TA*-050	0
50	51	126	60.25	42	1/37	220	66	30	9	15	305	85	103	50	232	5.2	190	TA*-050	0
											367	102	119	52	247	7.1		TA*-063	2
65	65	133	76.6	61	1/48	273	72	48	9	6	367	102	119	52	267	8.1	365	TA*-063	0
80	78	152	89.6	64	1/49	316	85	55	11	7	367	102	119	52	276	9.6	410	TA*-063	0
											435	120	142	59	318	14		TA*-080	2
100	100	210	114.7	84	1/56	419	110	65	11	8	435	120	142	59	350	20	680	TA*-080	0



Flow marks are not attached to sizes 65 to 100 mm.



TA*PA907HHE-015
TA*PA907HHE-020
TA*PA907HHE-025
TA*PA907HHE-032

No	DESCRIPTION	MATERIALS	REQ'D	REMARKS
10	Actuator		1	TAO/C
9	Bracket	BERIC	1	
8	Joint	SUS304	1	
7	Joint	SUS303/SCS13A	1	
6	Bracket	SUS304/SCS13A	1	
5	O-ring	EPDM	2	
4	Stem	C-PVC	1	(a)
3	Seat	PTFE	2	
2	Ball	C-PVC	1	(a)
1	Body	C-PVC	1	(a)

MARK	DATE	BY	DATE	'23-10-26	SCALE	NON	DWG No.	PA-9*7HHE-TD4-EN
REVISIONS								
MV-3037								
APPR'D	K.Y	TITLE	Socket-end (single-acting type) PA type electric actuated ball valve					
CHK'D	K.Y	MODEL	TAOPA9*7HHE TACPA9*7HHE					
DESIGN	S.O							
DRAWN								