

NOTE

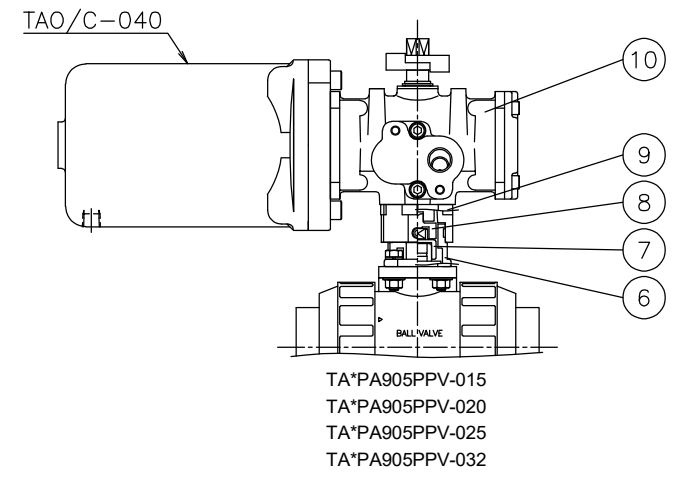
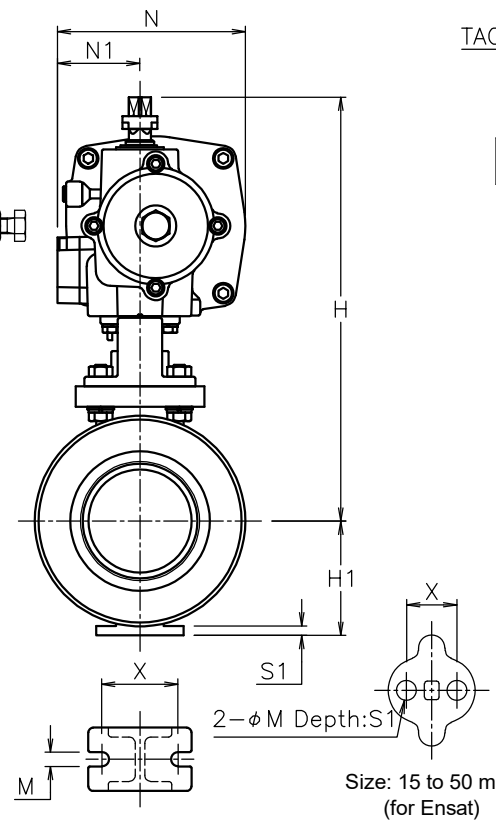
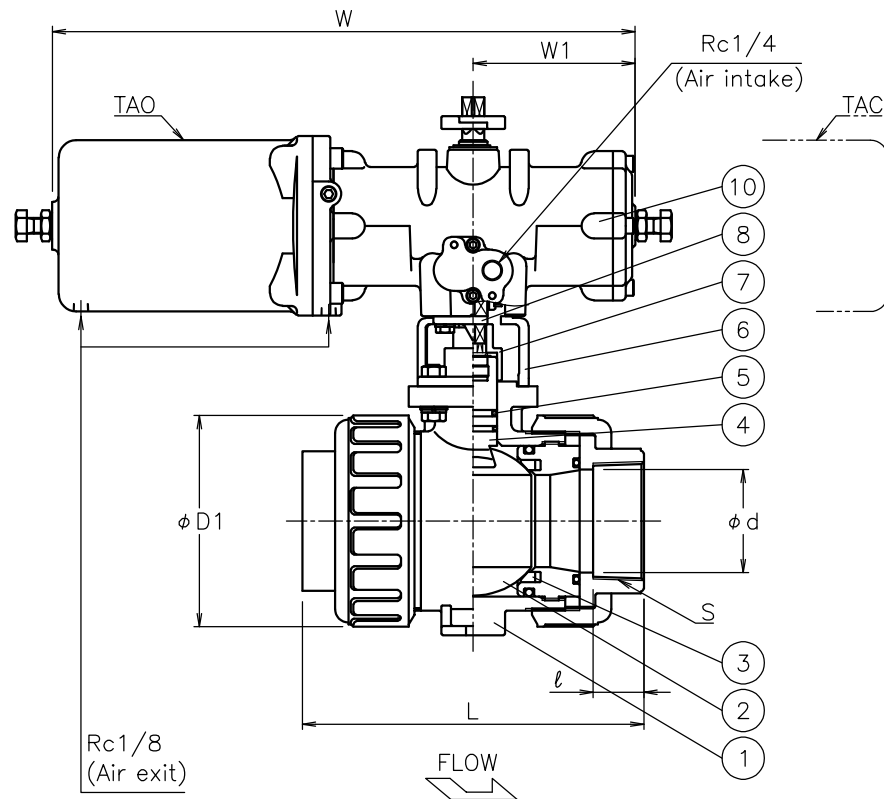
- 1) Air supply: 0.4 to 0.5 Mpa. Max 0.7 Mpa.
- 2) Actuator operation

	Air to intake port	Spring return
TAO	OPEN	SHUT
TAC	SHUT	OPEN

* This drawing is TAO.

* Only TAC-040 has the same cylinder direction as TAO.

Size [mm]	S	d	D1	ℓ	L	H1	X	M	S1	W	W1	N	N1	H	Weight [kg]	Cv	Actuator	Sizing code
15	Rc 1/2	15	48	15	102	29	19	7.3	11	249	55	92	46	153	2.8	14	TA*-040	0
20	Rc 3/4	20	60	17	120	35	19	7.3	11	249	55	92	46	160	2.9	29	TA*-040	0
										305	85	103	50	196	3.7		TA*-050	2
25	Rc 1	25	70	20	131	39	19	7.3	11	249	55	92	46	167	3	47	TA*-040	0
32	Rc1 1/4	32	82	22	150	47	30	9	15	249	55	92	46	184	3.4	72	TA*-040	0
40	Rc1 1/2	40	100	25	163	55	30	9	15	305	85	103	50	220	4.5	155	TA*-050	0
50	Rc 2	51	126	28	197	66	30	9	15	305	85	103	50	232	5.2	190	TA*-050	0
										367	102	119	52	247	7.1		TA*-063	2
65	Rc2 1/2	65	133	32	215	72	48	9	6	367	102	119	52	267	7.8	365	TA*-063	0
80	Rc 3	78	152	35	265	85	55	11	7	367	102	119	52	276	9.2	410	TA*-063	0
										435	120	142	59	318	14		TA*-080	2
100	Rc 4	100	210	45	362	110	65	11	8	435	120	142	59	350	19	680	TA*-080	0



Flow marks are not attached to sizes 65 to 100 mm.

No	DESCRIPTION	MATERIALS	REQ'D	REMARKS
10	Actuator		1	TAO/C
9	Bracket	BERIC	1	
8	Joint	SUS304	1	
7	Joint	SUS303/SCS13A	1	
6	Bracket	SUS304/SCS13A	1	
5	O-ring	FKM	2	
4	Stem	PVC	1	
3	Seat	PTFE	2	
2	Ball	PVC	1	
1	Body	PVC	1	

APPR'D	K.Y.	TITLE	Threaded End Rc (single-acting type) PA type electric actuated ball valve			
CHK'D	K.Y.	MODEL	TAOPA9*5PPV TACPA9*5PPV			
DESIGN	S.O.	SCALE	NON	DWG No.	PA-9*5PPV-TD4-EN	
MARK	DATE	BY	DATE	'23-10-26		
REVISIONS						
MV-3037		Upro NIPPON VALVE CONTROLS, INC.				