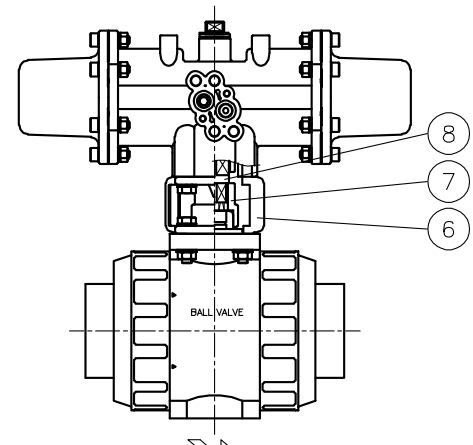
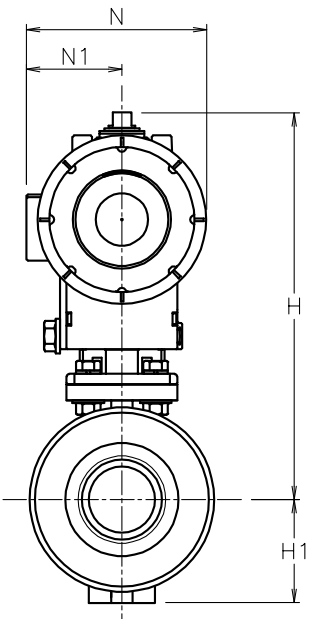
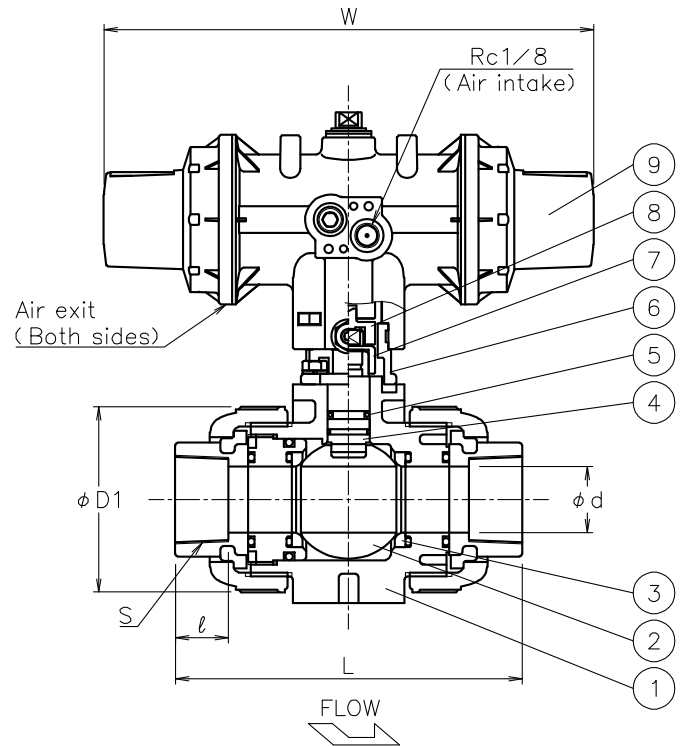


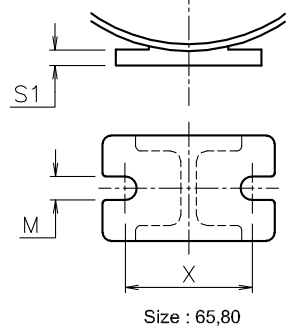
Size (mm)	S	d	L	D1	ℓ	X	M	S1	W	N	N1	H1	H	Weight (kg)	Cv	Actuator		Sizing code
15	Rc 1/2	15	102	48	15	19	7.3	11	160	57	30	29	117	0.7	14	PSO-03D	PSC-03D	0
20	Rc 3/4	20	120	60	17	19	7.3	11	160	57	30	35	123	0.8	29	PSO-03D	PSC-03D	0
25	Rc 1	25	131	70	20	19	7.3	11	185	68	36	39	147	1.1	47	PSO-04D	PSC-04D	0
32	Rc1 1/4	32	150	82	22	30	9	15	185	68	36	47	164	1.5	72	PSO-04D	PSC-04D	0
40	Rc1 1/2	40	163	100	25	30	9	15	247	82	44	55	195	2.6	155	PSO-05D	PSC-05D	0
50	Rc 2	51	197	126	28	30	9	15	247	82	44	66	206	3.3	190	PSO-05D	PSC-05D	0
65	Rc2 1/2	65	215	133	32	48	9	6	288	95	48	72	227	4.5	365	PSO-05W	PSC-05W	0
80	Rc 3	78	265	152	35	55	11	7	288	95	48	85	236	5.9	410	PSO-05W	PSC-05W	0



PS\*PA905PPV-040  
PS\*PA905PPV-050  
PS\*PA905PPV-065  
PS\*PA905PPV-080

□ More than Size 65 do not have a flow mark.

NOTE  
1. Air supply : 0.4~0.5 Mpa max 0.7 Mpa  
2. Actuator operation  
PSO serie • Air to intake port : OPEN  
• Spring return : SHUT  
PSC serie • Air to intake port : SHUT  
• Spring return : OPEN  
3. Coupling OD must be less than φ14.5



No	DESCRIPTION	MATERIALS	REQ'D	REMARKS
9	Actuator	PPS body	1	PSO/C
8	Joint	SUS304	1	
7	Joint	SCS13A	1	
6	Bracket	SCS13A	1	
5	O-ring	FKM	2	
4	Stem	PVC	1	
3	Seat	PTFE	2	
2	Ball	PVC	1	
1	Body	PVC	1	

MARK	DATE	BY	APPR'D	K.Y	TITLE	Threaded End Rc (single-acting type) PA type pneumatic actuated ball valve		
			CHK'D	K.Y	MODEL	PSOPA905PPV	PSCPA905PPV	
			DESIGN		SCALE	NON	DWG No.	PA-905PPV-DA1-EN
			DRAWN	T.A				
			DATE	'22-12-08				
REVISIONS								
MV-2987								