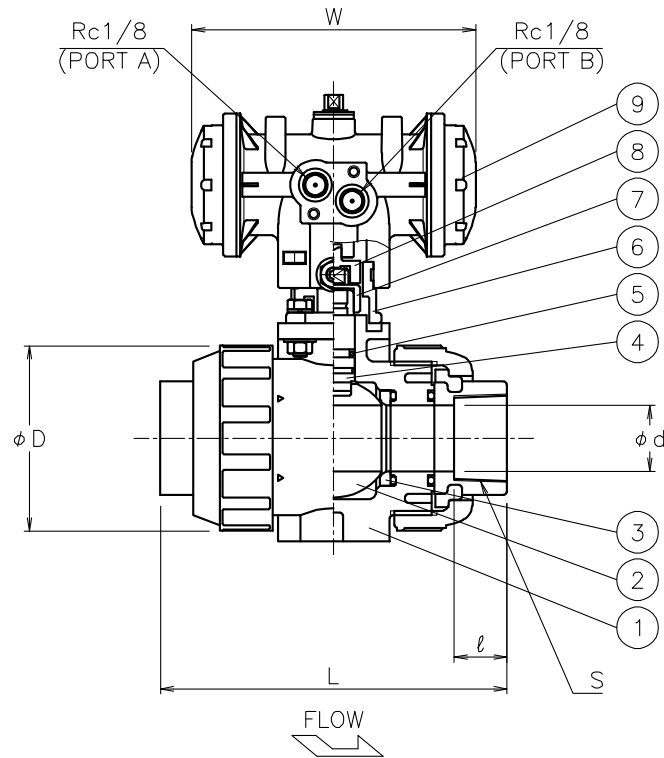
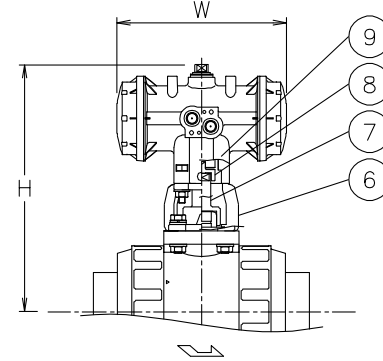
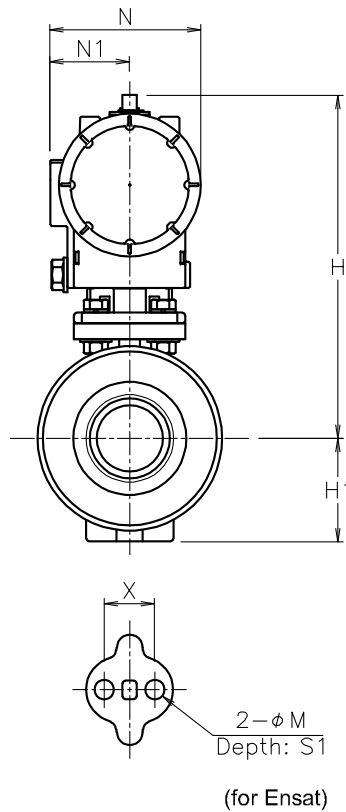


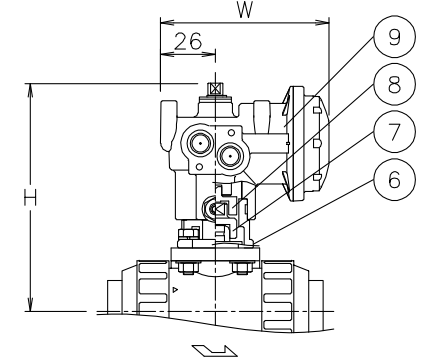
Size [mm]	S	d	L	D1	ℓ	H1	X	M	S1	W	N	N1	H	Weight [kg]	Cv	Actuator	Sizing code
15	Rc 1/2	15	102	48	15	29	19	7.3	11	80	57	30	108	0.6	14	PND-03S	0
20	Rc 3/4	20	120	60	17	35	19	7.3	11	108	57	30	123	0.8	29	PND-03D	0
25	Rc 1	25	131	70	20	39	19	7.3	11	108	57	30	130	0.9	47	PND-03D	0
32	Rc1 1/4	32	150	82	22	47	30	9	15	108	57	30	147	1.2	72	PND-03D	0
40	Rc1 1/2	40	163	100	25	55	30	9	15	128	68	36	187	1.9	155	PND-04D	0
50	Rc 2	51	197	126	28	66	30	9	15	128	68	36	198	2.6	190	PND-04D	0
										157	82	44	206	2.9		PND-05D	2
65	Rc2 1/2	65	215	133	32	72	48	9	6	157	82	44	227	3.6	365	PND-05D	0
80	Rc 3	78	265	152	35	85	55	11	7	157	82	44	236	5	410	PND-05D	0



Note) FLOW is not specified with size 65 or more.



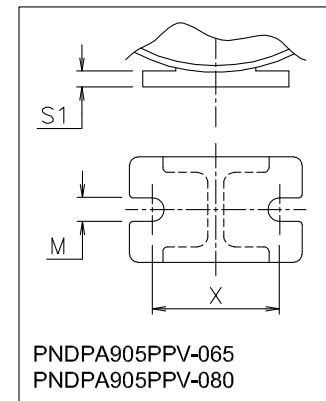
PNDPA905PPV-040  
PNDPA9\*5PPV-050  
PNDPA905PPV-065  
PNDPA905PPV-080



PNDPA905PPV-015

NOTE

- 1) Air supply: 0.4 to 0.5 Mpa. Max 0.7 Mpa.
  - 2) Actuator operation  
Air to port A: SHUT.  
Air to port B: OPEN.
- (a) Coupling OD must be less than 14.5 mm.



PNDPA905PPV-065  
PNDPA905PPV-080

No	DESCRIPTION	MATERIALS	REQ'D	REMARKS
9	Actuator	PPS body	1	PND (a)
8	Joint	SUS304	1	
7	Joint	SCS13A	1	
6	Bracket	SCS13A	1	
5	O-ring	FKM	2	
4	Stem	PVC	1	
3	Seat	PTFE	2	
2	Ball	PVC	1	
1	Body	PVC	1	

MARK	DATE	BY	DATE	SCALE	NON	DWG No.	PA-9*5PPV-NA1-EN
REVISIONS				APPR'D	K.Y	TITLE	Threaded End Rc (double-acting type) PA type pneumatic actuated ball valve
MV-2987				CHK'D	K.Y	MODEL	PNDPA9*5PPV
				DESIGN			
				DRAWN	T.A		



NIPPON VALVE CONTROLS, INC.