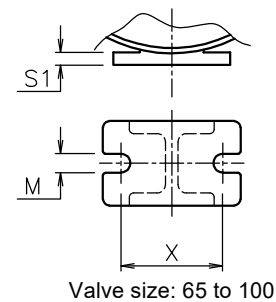
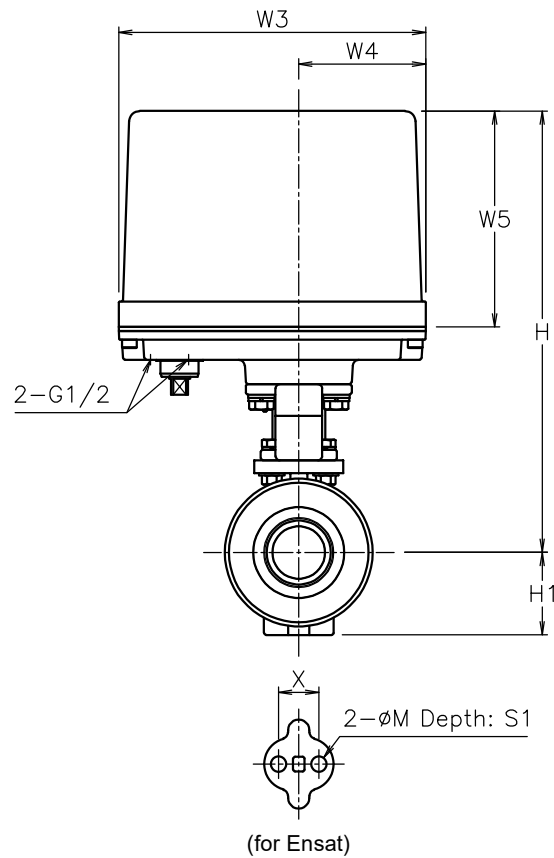
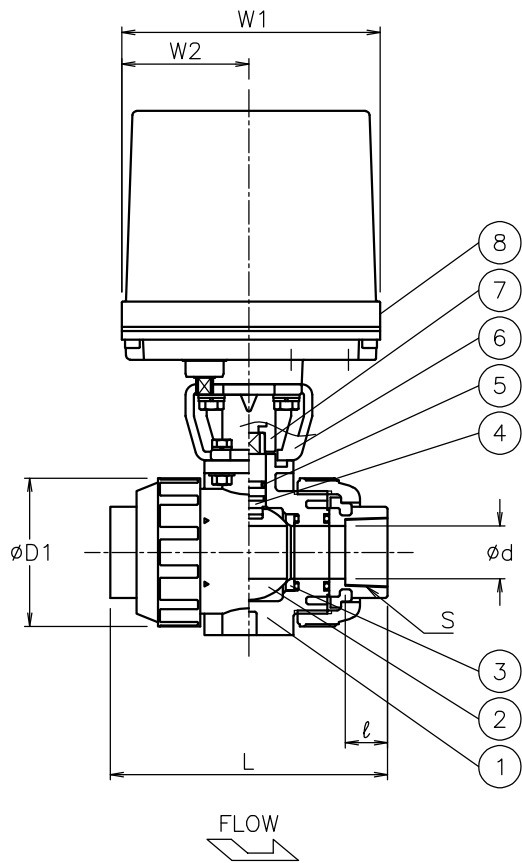


Size [mm]	S	d	D1	ℓ	L	H1	X	M	S1	W1	W2	W3	W4	W5	H	Weight [kg]	Cv	Actuator		Sizing code
15	Rc 1/2	15	48	15	102	29	19	7.3	11	122	60	145	60	102	195	2.8	14	AE1-120	AE2-120	0
20	Rc 3/4	20	60	17	120	35	19	7.3	11	122	60	145	60	102	202	2.9	29	AE1-120	AE2-120	0
25	Rc 1	25	70	20	131	39	19	7.3	11	122	60	145	60	102	209	3	47	AE1-120	AE2-120	0
32	Rc1 1/4	32	82	22	150	47	30	9	15	122	60	145	60	102	218	3.2	72	AE1-120	AE2-120	0
40	Rc1 1/2	40	100	25	163	55	30	9	15	122	60	145	60	102	226	3.7	155	AE1-120	AE2-120	0
50	Rc 2	51	126	28	197	66	30	9	15	122	60	145	60	102	238	5	190	AE1-300	AE2-300	0
65	Rc2 1/2	65	133	32	215	72	48	9	6	122	60	145	60	102	258	5.7	365	AE1-300	AE2-300	0
															274			AE1-600	AE2-600	2
80	Rc 3	78	152	35	265	85	55	11	7	122	60	145	60	102	283	7.1	410	AE1-600	AE2-600	0
100	Rc 4	100	210	45	362	110	65	11	8	122	60	145	60	102	324	13	680	AE1-600	AE2-600	0
										160	97	175	63	115	373			19	AE1-02K	AE2-02K



NOTE
ATTACHMENT
Cable gland (nylon), G1/2, for 6φ to 12φ cable.
Plug.

No	DESCRIPTION	MATERIALS	REQ'D	REMARKS
8	Actuator		1	
7	Joint	SCS13A/SUS303	1	
6	Bracket	SCS13A/SUS304	1	
5	O-ring	FKM	2	
4	Stem	PVC	1	
3	Seat	PTFE	2	
2	Ball	PVC	1	
1	Body	PVC	1	

More than Size 65
do not have a flow mark.

MARK	DATE	BY	DATE	APPR'D	H.F	TITLE					
				CHK'D	K.Y		Threaded End Rc				
				DESIGN			PA type electric actuated ball valve				
				DRAWN	S.O	MODEL	AE1PA**5PPV AE2PA**5PPV				
						SCALE	NON	DWG No.	PA-*5PPV-AE4-EN		
REVISIONS											
MV-2895				NIPPON VALVE CONTROLS, INC.							