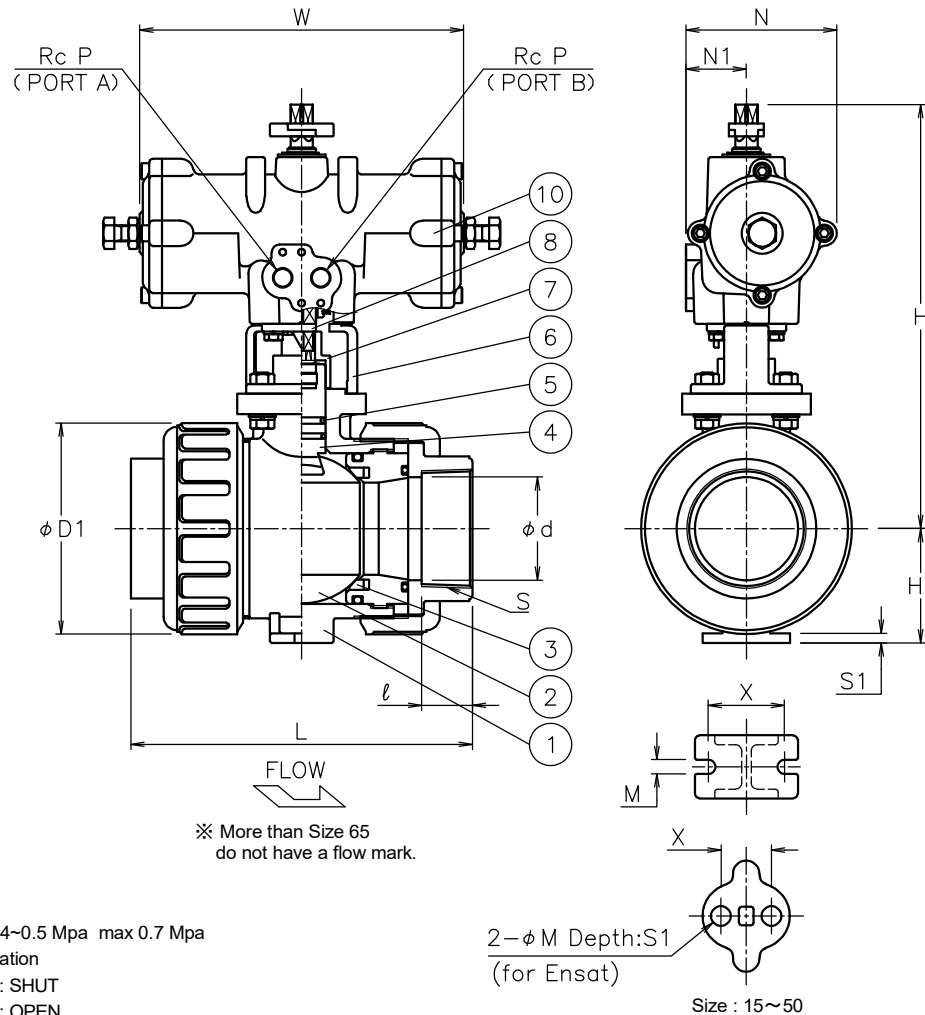
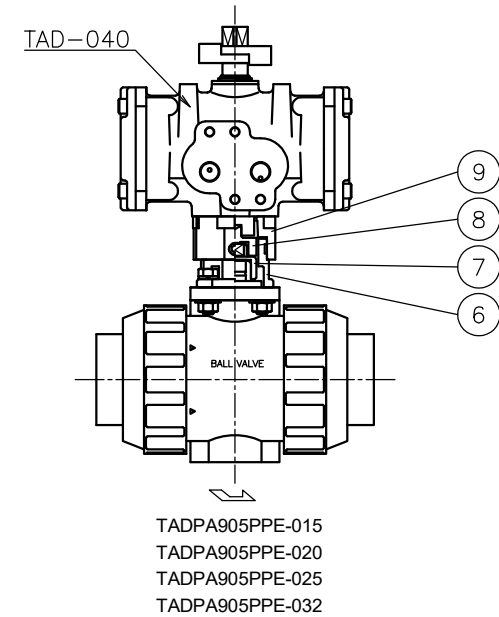


| Size (mm) | S       | d   | L   | D1  | ℓ  | P   | X  | M   | S1 | W   | N   | N1 | H1  | H   | Weight (kg) | Cv  | Actuator | Sizing code |
|-----------|---------|-----|-----|-----|----|-----|----|-----|----|-----|-----|----|-----|-----|-------------|-----|----------|-------------|
| 15        | Rc 1/2  | 15  | 102 | 48  | 15 | 1/8 | 19 | 7.3 | 11 | 110 | 57  | 32 | 29  | 153 | 1.3         | 14  | TAD-040  | 0           |
| 20        | Rc 3/4  | 20  | 120 | 60  | 17 | 1/8 | 19 | 7.3 | 11 | 110 | 57  | 32 | 35  | 160 | 1.4         | 29  | TAD-040  | 0           |
| 25        | Rc 1    | 25  | 131 | 70  | 20 | 1/8 | 19 | 7.3 | 11 | 110 | 57  | 32 | 39  | 167 | 1.5         | 47  | TAD-040  | 0           |
| 32        | Rc1 1/4 | 32  | 150 | 82  | 22 | 1/8 | 30 | 9   | 15 | 110 | 57  | 32 | 47  | 184 | 1.9         | 72  | TAD-040  | 0           |
| 40        | Rc1 1/2 | 40  | 163 | 100 | 25 | 1/4 | 30 | 9   | 15 | 170 | 82  | 36 | 55  | 220 | 2.7         | 155 | TAD-050  | 0           |
| 50        | Rc 2    | 51  | 197 | 126 | 28 | 1/4 | 30 | 9   | 15 | 170 | 82  | 36 | 66  | 232 | 3.4         | 190 | TAD-050  | 0           |
|           |         |     |     |     |    |     |    |     |    | 204 | 95  | 38 |     | 247 | 4.2         |     | TAD-063  | 2           |
| 65        | Rc2 1/2 | 65  | 215 | 133 | 32 | 1/4 | 48 | 9   | 6  | 204 | 95  | 38 | 72  | 267 | 4.8         | 365 | TAD-063  | 0           |
| 80        | Rc 3    | 78  | 265 | 152 | 35 | 1/4 | 55 | 11  | 7  | 204 | 95  | 38 | 85  | 276 | 6.2         | 410 | TAD-063  | 0           |
|           |         |     |     |     |    |     |    |     |    | 240 | 116 | 45 |     | 318 | 7.9         |     | TAD-080  | 2           |
| 100       | Rc 4    | 100 | 362 | 210 | 45 | 1/4 | 65 | 11  | 8  | 240 | 116 | 45 | 110 | 350 | 13          | 680 | TAD-080  | 0           |



※ More than Size 65 do not have a flow mark.



| 10 | Actuator    |               | 1     | TAD     |
|----|-------------|---------------|-------|---------|
| 9  | Bracket     | BERIC         | 1     |         |
| 8  | Joint       | SUS304        | 1     |         |
| 7  | Joint       | SUS303/SCS13A | 1     |         |
| 6  | Bracket     | SUS304/SCS13A | 1     |         |
| 5  | O-ring      | EPDM          | 2     |         |
| 4  | Stem        | PVC           | 1     |         |
| 3  | Seat        | PTFE          | 2     |         |
| 2  | Ball        | PVC           | 1     |         |
| 1  | Body        | PVC           | 1     |         |
| No | DESCRIPTION | MATERIALS     | REQ'D | REMARKS |

NOTE

- Air supply : 0.4~0.5 Mpa max 0.7 Mpa
- Actuator operation
  - Air to port A : SHUT
  - Air to port B : OPEN

|           |      |    |        |           |       |   |         |                  |
|-----------|------|----|--------|-----------|-------|---|---------|------------------|
|           |      |    | APPR'D | H.F       | TITLE | Threaded End Rc (double-acting type)<br>PA type pneumatic actuated ball valve |         |                  |
|           |      |    | CHK'D  | K.Y       | MODEL | TADPA9*5PPE   |         |                  |
|           |      |    | DESIGN |           | SCALE | NON   | DWG No. | PA-9*5PPE-TA2-EN |
|           |      |    | DRAWN  | P.O       |       |   |         |                  |
| MARK      | DATE | BY | DATE   | '16-11-17 |       |   |         |                  |
| REVISIONS |      |    |        |           |       |   |         |                  |
| MV-2557   |      |    |        |           |       |   |         |                  |