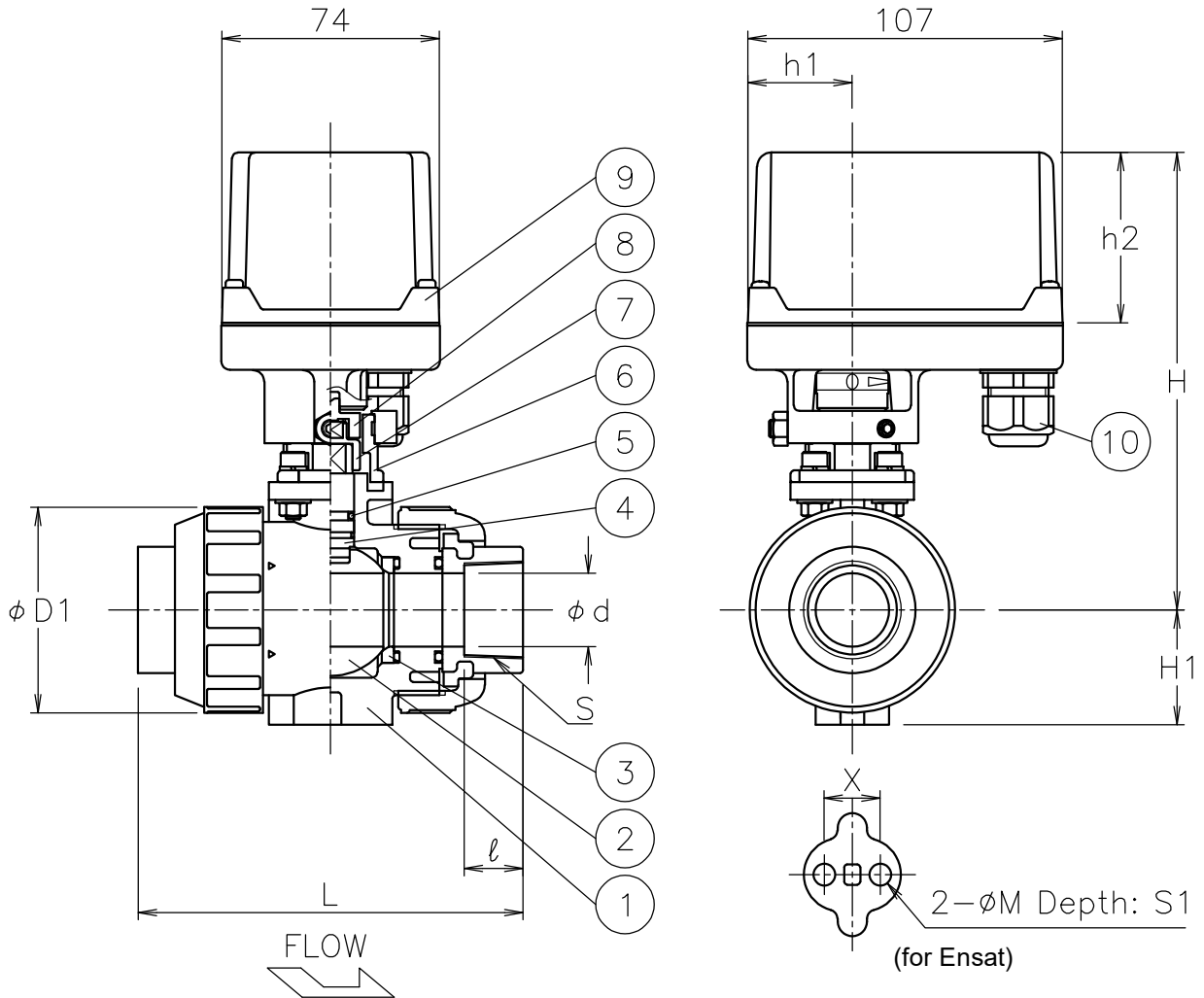



Size [mm]	S	d	D1	ℓ	L	H1	X	M	S1	h1	h2	H	Weight [kg]	Cv	Actuator	Sizing code
15	Rc 1/2	15	48	15	102	29	19	7.3	11	36	58	143	1.3	14	AM*-030	0
20	Rc 3/4	20	60	17	120	35	19	7.3	11	36	58	149	1.4	29	AM*-070	0
25	Rc 1	25	70	20	131	39	19	7.3	11	36	58	156	1.6	47	AM*-070	0
32	Rc1 1/4	32	82	22	150	47	30	9	15	36	58	173	1.9	72	AM*-070	0
40	Rc1 1/2	40	100	25	163	55	30	9	15	53	85	234	2.9	155	AM*-180	0



**NOTE**

- (a) Heat-resistant PVC
- (b) Cable acceptance  $5\phi$  to  $10.5\phi$  mm.

10	Cable gland	NYLON 6	1	G3/8 (b)
9	Actuator	ADC12/PC Cover	1	
8	Joint	SUS304	1	
7	Joint	SCS13A	1	
6	Bracket	SCS13A	1	
5	O-ring	FKM	2	
4	Stem	C-PVC	1	(a)
3	Seat	PTFE	2	
2	Ball	C-PVC	1	(a)
1	Body	C-PVC	1	(a)
No	DESCRIPTION	MATERIALS	REQ'D	REMARKS

			APPR'D	H.F	TITLE	Threaded End Rc PA type motorized ball valve		
			CHK'D	K.Y				
			DESIGN		MODEL	AM1PA*05HHV AM2PA*05HHV		
			DRAWN	S.O				
MARK	DATE	BY	DATE	'21-12-17	SCALE	NON	DWG No.	PA-05HHV-AM4-EN
REVISIONS			 <b>NIPPON VALVE CONTROLS, INC.</b>					
MV-2945								