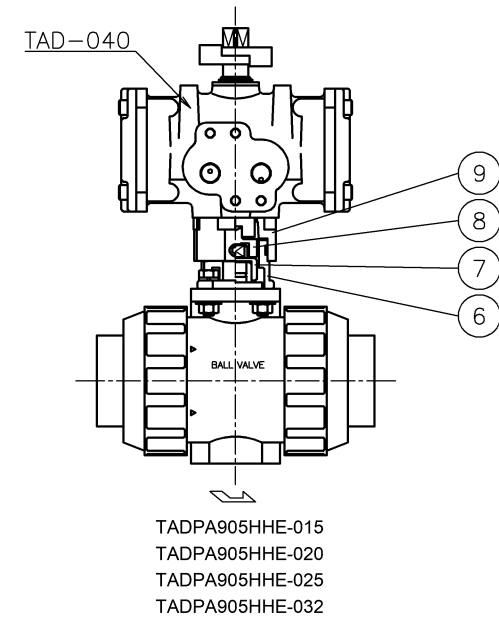
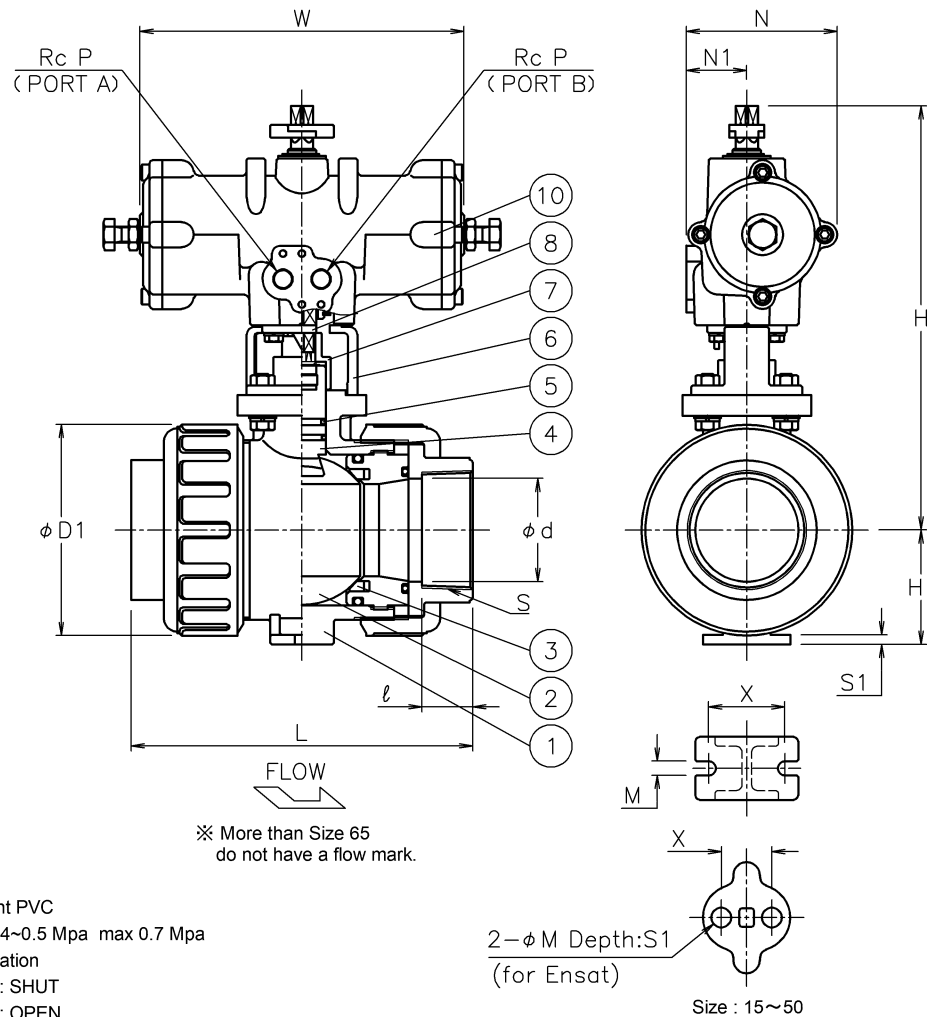


Size (mm)	S	d	L	D1	ℓ	P	X	M	S1	W	N	N1	H1	H	Weight (kg)	Cv	Actuator	Sizing code
15	Rc 1/2	15	102	48	15	1/8	19	7.3	11	110	57	32	29	153	1.3	14	TAD-040	0
20	Rc 3/4	20	120	60	17	1/8	19	7.3	11	110	57	32	35	160	1.4	29	TAD-040	0
25	Rc 1	25	131	70	20	1/8	19	7.3	11	110	57	32	39	167	1.6	47	TAD-040	0
32	Rc1 1/4	32	150	82	22	1/8	30	9	15	110	57	32	47	184	1.9	72	TAD-040	0
40	Rc1 1/2	40	163	100	25	1/4	30	9	15	170	82	36	55	220	2.8	155	TAD-050	0
50	Rc 2	51	197	126	28	1/4	30	9	15	170	82	36	66	232	3.6	190	TAD-050	0
										204	95	38		247	4.4		TAD-063	2
65	Rc2 1/2	65	215	133	32	1/4	48	9	6	204	95	38	72	267	5	365	TAD-063	0
80	Rc 3	78	265	152	35	1/4	55	11	7	204	95	38	85	276	6.5	410	TAD-063	0
										240	116	45		318	8.2		TAD-080	2
100	Rc 4	100	362	210	45	1/4	65	11	8	240	116	45	110	350	15	680	TAD-080	0



- NOTE
(a) Heat-resistant PVC
1. Air supply : 0.4~0.5 Mpa max 0.7 Mpa
2. Actuator operation
• Air to port A : SHUT
• Air to port B : OPEN

2-φ M Depth: S1
(for Ensat)
Size : 15~50

No	DESCRIPTION	MATERIALS	REQ'D	REMARKS
10	Actuator		1	TAD
9	Bracket	BERIC	1	
8	Joint	SUS304	1	
7	Joint	SUS303/SCS13A	1	
6	Bracket	SUS304/SCS13A	1	
5	O-ring	EPDM	2	
4	Stem	C-PVC	1	(a)
3	Seat	PTFE	2	
2	Ball	C-PVC	1	(a)
1	Body	C-PVC	1	(a)

MARK	DATE	BY	DATE	'16-11-17	SCALE	NON	DWG No.	PA-9*5HHE-TA2-EN
REVISIONS								
MV-2557								

APPR'D H.F
CHK'D K.Y
DESIGN
DRAWN P.O
TITLE Threaded End Rc (double-acting type)
PA type pneumatic actuated ball valve
MODEL TADPA9*5HHE

Upro NIPPON VALVE CONTROLS, INC.