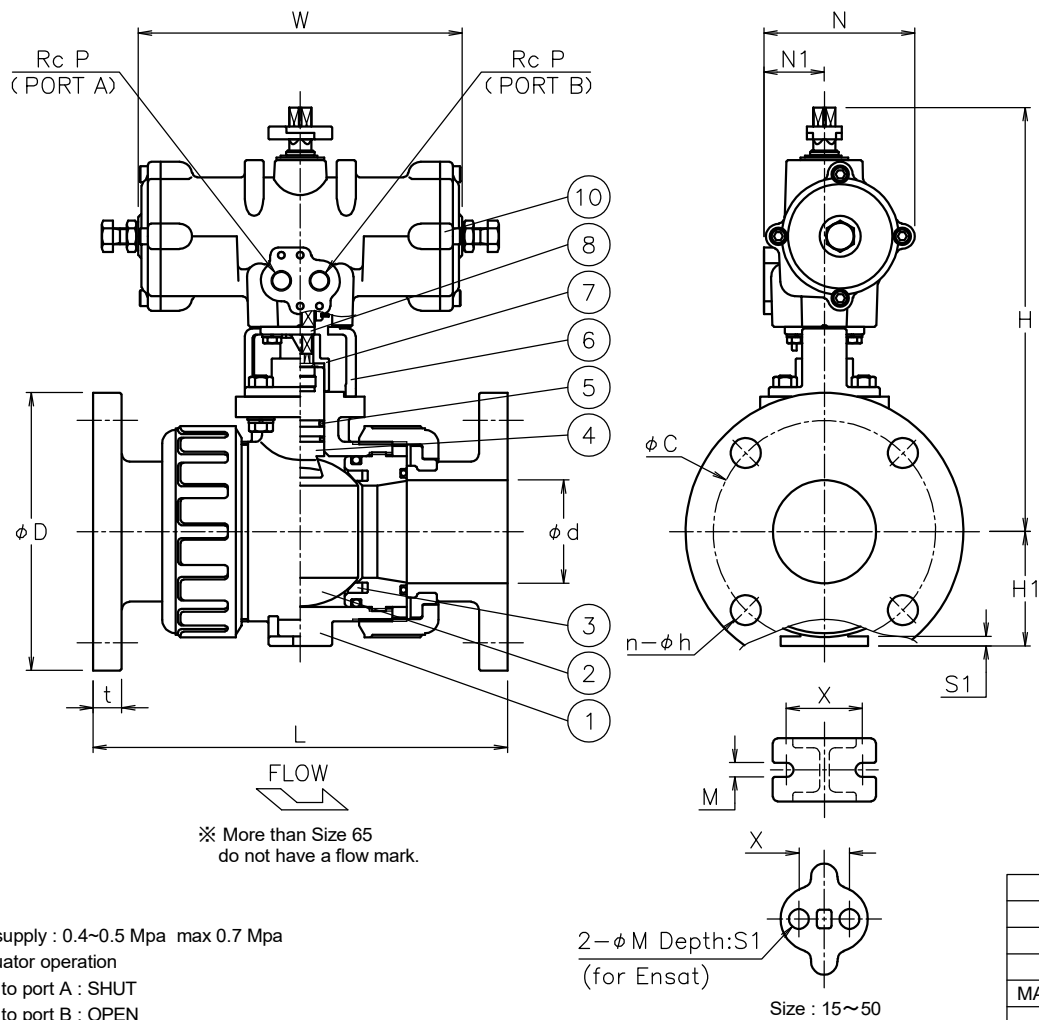


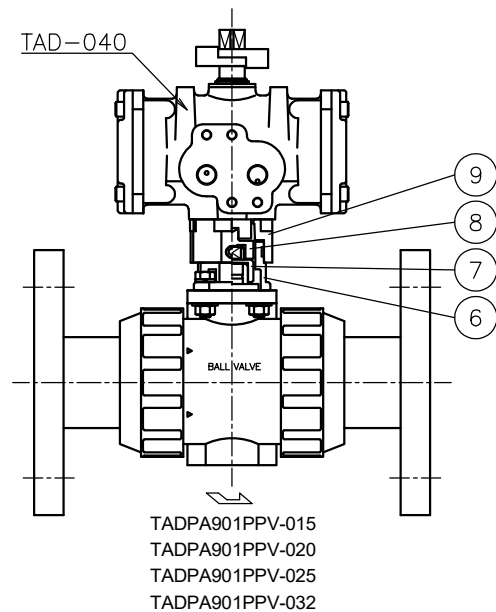
Size (mm)	d	L	t	D	C	n-h	P	X	M	S1	W	N	N1	H1	H	Weight (kg)	Cv	Actuator	Sizing code
15	15	143	12	95	70	4-15	1/8	19	7.3	11	110	57	32	29	153	1.5	14	TAD-040	0
20	20	172	14	100	75	4-15	1/8	19	7.3	11	110	57	32	35	160	1.7	29	TAD-040	0
25	25	187	14	125	90	4-19	1/8	19	7.3	11	110	57	32	39	167	1.9	47	TAD-040	0
32	32	190	16	135	100	4-19	1/8	30	9	15	110	57	32	47	184	2.4	72	TAD-040	0
40	40	212	16	140	105	4-19	1/4	30	9	15	170	82	36	55	220	3.3	155	TAD-050	0
50	51	234	16	155	120	4-19	1/4	30	9	15	170	82	36	66	232	4.1	190	TAD-050	0
											204	95	38		247	4.9		TAD-063	2
65	65	261	18	175	140	4-19	1/4	48	9	6	204	95	38	72	267	5.8	365	TAD-063	0
80	78	306	18	185	150	8-19	1/4	55	11	7	204	95	38	85	276	7.4	410	TAD-063	0
											240	116	45		318	9.1		TAD-080	2
100	100	374	18	210	175	8-19	1/4	65	11	8	240	116	45	110	350	15	680	TAD-080	0



※ More than Size 65 do not have a flow mark.

NOTE

- Air supply : 0.4~0.5 Mpa max 0.7 Mpa
- Actuator operation
  - Air to port A : SHUT
  - Air to port B : OPEN



No	DESCRIPTION	MATERIALS	REQ'D	REMARKS
10	Actuator		1	TAD
9	Bracket	BERIC	1	
8	Joint	SUS304	1	
7	Joint	SUS303/SCS13A	1	
6	Bracket	SUS304/SCS13A	1	
5	O-ring	FKM	2	
4	Stem	PVC	1	
3	Seat	PTFE	2	
2	Ball	PVC	1	
1	Body	PVC	1	

MARK	DATE	BY	DATE	'16-11-17	SCALE	NON	DWG No.	PA-9*1PPV-TA2-EN
REVISIONS								
MV-2557								
APP'R'D					H.F	TITLE		
CHK'D					K.Y	J10K Flanged-end (double-acting type) PA type pneumatic actuated ball valve		
DESIGN						MODEL		
DRAWN					P.O	TADPA9*1PPV		
NIPPO						NIPPON VALVE CONTROLS, INC.		