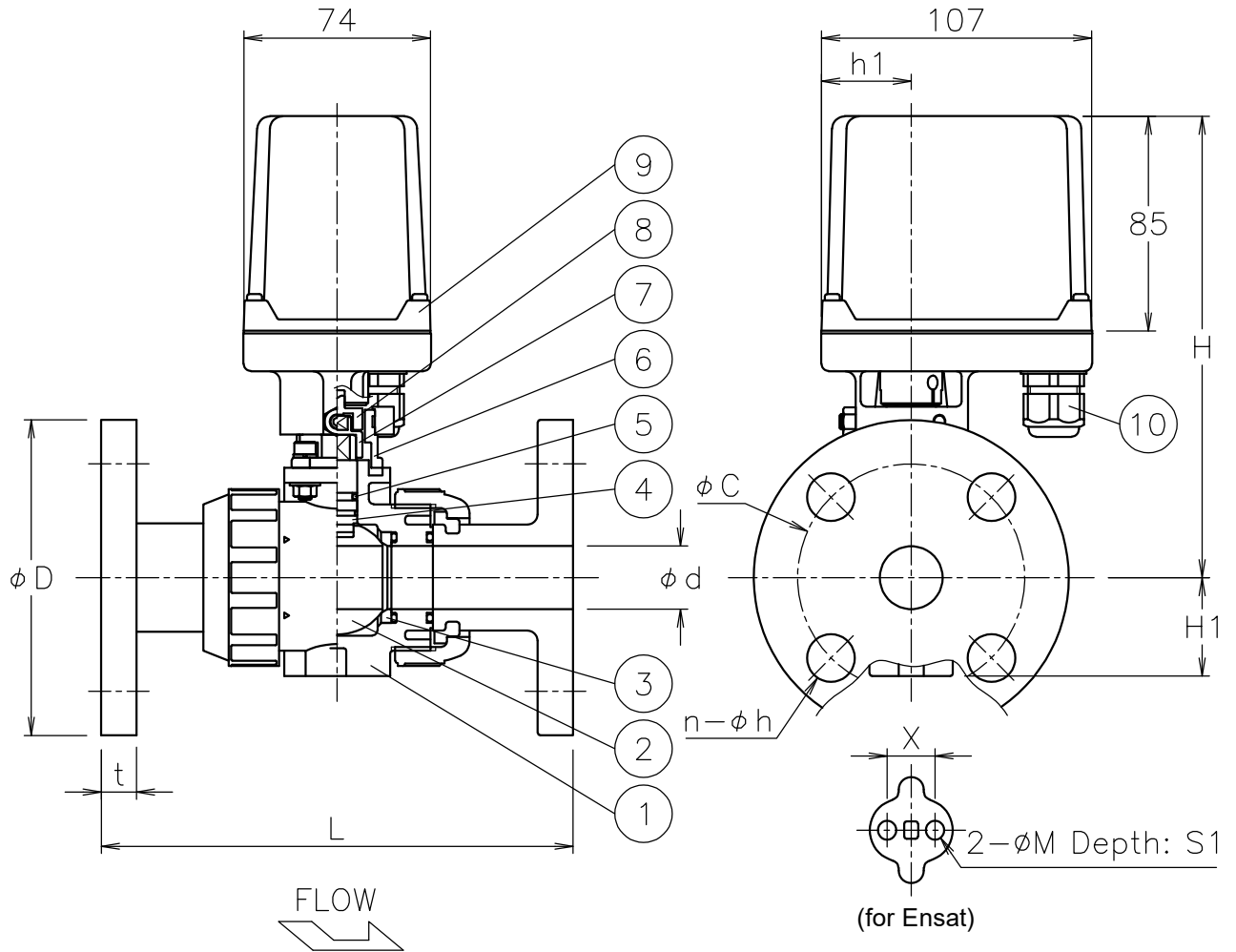



Size [mm]	d	L	t	D	C	n-h	H1	X	M	S1	h1	H	Weight [kg]	Cv	Actuator	Sizing code
15	15	143	12	95	70	4-15	29	19	7.3	11	36	170	1.6	14	AH1-030	0
20	20	172	14	100	75	4-15	35	19	7.3	11	36	176	2	29	AH1-070	0
25	25	187	14	125	90	4-19	39	19	7.3	11	36	183	2.2	47	AH1-070	0
32	32	190	16	135	100	4-19	47	30	9	15	36	200	2.7	72	AH1-070	0
40	40	212	16	140	105	4-19	55	30	9	15	53	234	3.6	155	AH1-180	0



NOTE

(a) Cable acceptance 5ϕ to 10.5ϕ mm.

10	Cable gland	NYLON 6	1	G3/8 (a)
9	Actuator	ADC12/PC Cover	1	
8	Joint	SUS304	1	
7	Joint	SCS13A	1	
6	Bracket	SCS13A	1	
5	O-ring	FKM	2	
4	Stem	PVC	1	
3	Seat	PTFE	2	
2	Ball	PVC	1	
1	Body	PVC	1	
No	DESCRIPTION	MATERIALS	REQ'D	REMARKS

			APPR'D	H.F	TITLE	J10K Flanged-end PA type motorized ball valve			
			CHK'D	K.Y					
			DESIGN		MODEL	AH1PA*01PPV			
			DRAWN	S.O					
MARK	DATE	BY	DATE	'21-12-23	SCALE	NON	DWG No.	PA-01PPV-CM4-EN	
REVISIONS			 NIPPON VALVE CONTROLS, INC.						
MV-2947									