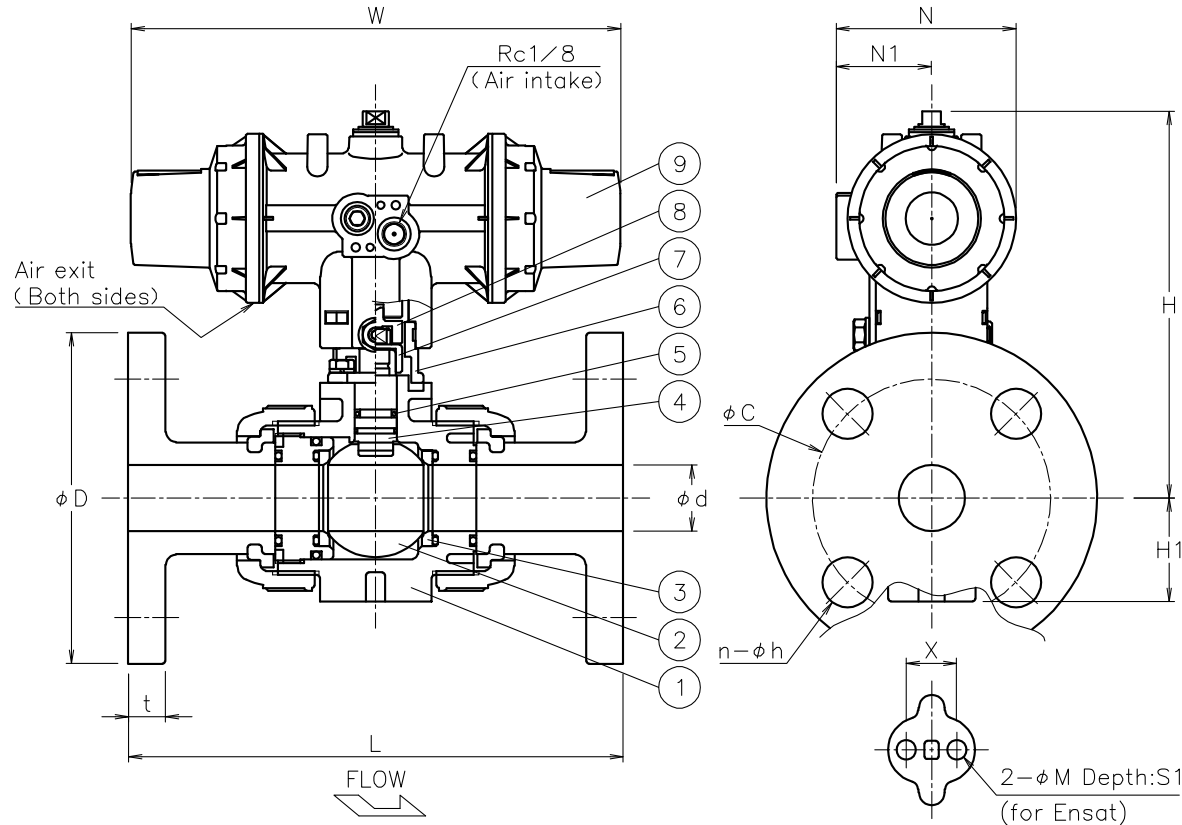


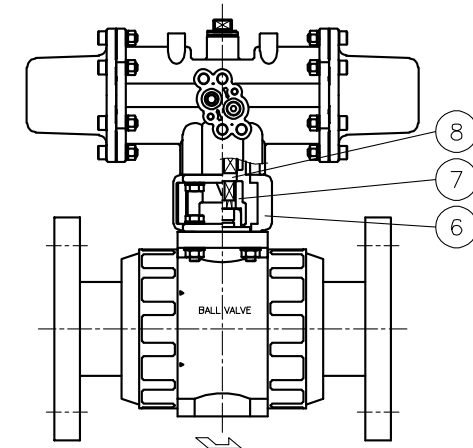
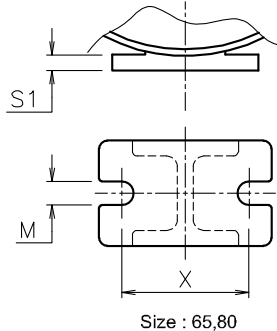
Size (mm)	d	L	t	D	C	n-h	X	M	S1	W	N	N1	H1	H	Weight (kg)	Cv	Actuator		Sizing code
15	15	143	12	95	70	4-15	19	7.3	11	160	57	30	29	117	0.9	14	PSO-03D	PSC-03D	0
20	20	172	14	100	75	4-15	19	7.3	11	160	57	30	35	123	1.1	29	PSO-03D	PSC-03D	0
25	25	187	14	125	90	4-19	19	7.3	11	185	68	36	39	147	1.5	47	PSO-04D	PSC-04D	0
32	32	190	16	135	100	4-19	30	9	15	185	68	36	47	164	2	72	PSO-04D	PSC-04D	0
40	40	212	16	140	105	4-19	30	9	15	247	82	44	55	195	3.2	155	PSO-05D	PSC-05D	0
50	51	234	16	155	120	4-19	30	9	15	247	82	44	66	206	4	190	PSO-05D	PSC-05D	0
65	65	261	18	175	140	4-19	48	9	6	288	95	48	72	227	5.5	365	PSO-05W	PSC-05W	0
80	78	306	18	185	150	8-19	55	11	7	288	95	48	85	236	7.1	410	PSO-05W	PSC-05W	0



□ More than Size 65 do not have a flow mark.

**NOTE**

- Air supply : 0.4~0.5 Mpa max 0.7 Mpa
- Actuator operation
  - PSO serie • Air to intake port : OPEN
  - Spring return : SHUT
  - PSC serie • Air to intake port : SHUT
  - Spring return : OPEN
- Coupling OD must be less than  $\phi 14.5$



PS\*PA901PPE-040  
 PS\*PA901PPE-050  
 PS\*PA901PPE-065  
 PS\*PA901PPE-080

No	DESCRIPTION	MATERIALS	REQ'D	REMARKS
9	Actuator	PPS body	1	PSO/C
8	Joint	SUS304	1	
7	Joint	SCS13A	1	
6	Bracket	SCS13A	1	
5	O-ring	EPDM	2	
4	Stem	PVC	1	
3	Seat	PTFE	2	
2	Ball	PVC	1	
1	Body	PVC	1	

MARK	DATE	BY	APPR'D	K.Y	TITLE	J10K Flanged-end (single-acting type) PA type pneumatic actuated ball valve		
			CHK'D	K.Y				
			DESIGN		MODEL	PSOPA901PPE	PSCPA901PPE	
			DRAWN	T.A	SCALE	NON	DWG No.	PA-901PPE-DA1-EN
			DATE	'22-12-08				
REVISIONS			NIPPON VALVE CONTROLS, INC.					
MV-2987								