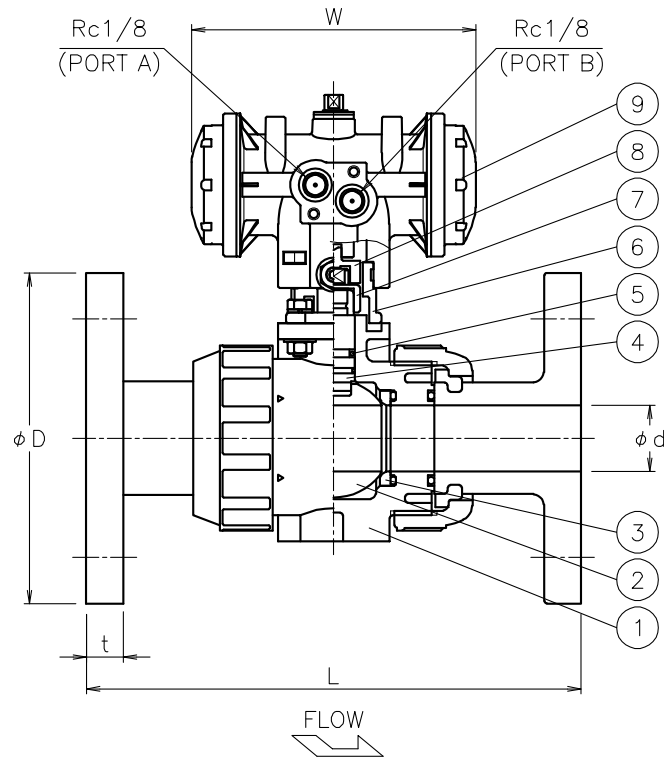
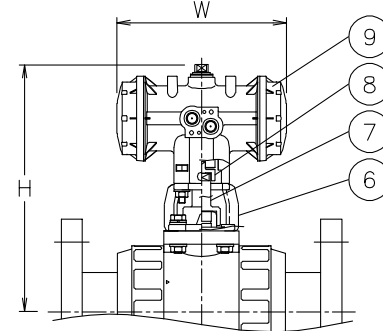
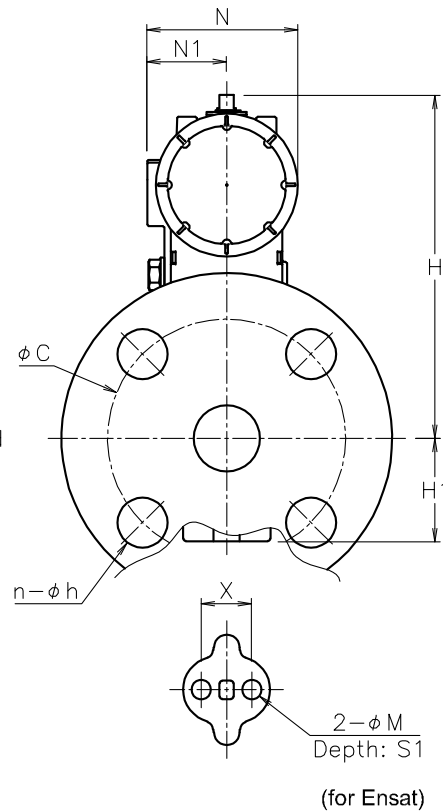


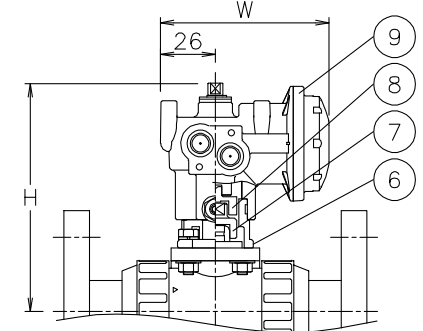
Size [mm]	d	L	t	D	C	n-h	H1	X	M	S1	W	N	N1	H	Weight [kg]	Cv	Actuator	Sizing code
15	15	143	12	95	70	4-15	29	19	7.3	11	80	57	30	108	0.8	14	PND-03S	0
20	20	172	14	100	75	4-15	35	19	7.3	11	108	57	30	123	1.1	29	PND-03D	0
25	25	187	14	125	90	4-19	39	19	7.3	11	108	57	30	130	1.3	47	PND-03D	0
32	32	190	16	135	100	4-19	47	30	9	15	108	57	30	147	1.7	72	PND-03D	0
40	40	212	16	140	105	4-19	55	30	9	15	128	68	36	187	2.5	155	PND-04D	0
50	51	234	16	155	120	4-19	66	30	9	15	128	68	36	198	3.3	190	PND-04D	0
											157	82	44	206	3.6		PND-05D	2
65	65	261	18	175	140	4-19	72	48	9	6	157	82	44	227	4.6	365	PND-05D	0
80	78	306	18	185	150	8-19	85	55	11	7	157	82	44	236	6.2	410	PND-05D	0



Note) FLOW is not specified with size 65 or more.



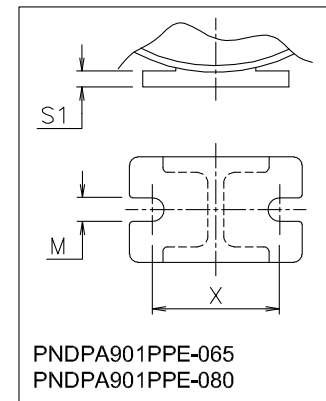
PNDPA901PPE-040
PNDPA9*1PPE-050
PNDPA901PPE-065
PNDPA901PPE-080



PNDPA901PPE-015

NOTE

- 1) Air supply: 0.4 to 0.5 Mpa. Max 0.7 Mpa.
 - 2) Actuator operation
Air to port A: SHUT.
Air to port B: OPEN.
- (a) Coupling OD must be less than 14.5 mm.



PNDPA901PPE-065
PNDPA901PPE-080

No	DESCRIPTION	MATERIALS	REQ'D	REMARKS
9	Actuator	PPS body	1	PND (a)
8	Joint	SUS304	1	
7	Joint	SCS13A	1	
6	Bracket	SCS13A	1	
5	O-ring	EPDM	2	
4	Stem	PVC	1	
3	Seat	PTFE	2	
2	Ball	PVC	1	
1	Body	PVC	1	

MARK	DATE	BY	DATE	SCALE	NON	DWG No.	PA-9*1PPE-NA1-EN
REVISIONS				APPR'D	K.Y	TITLE	J10K Flanged-end (double-acting type) PA type pneumatic actuated ball valve
MV-2987				CHK'D	K.Y	MODEL	PNDPA9*1PPE
				DESIGN			
				DRAWN	T.A		



NIPPON VALVE CONTROLS, INC.