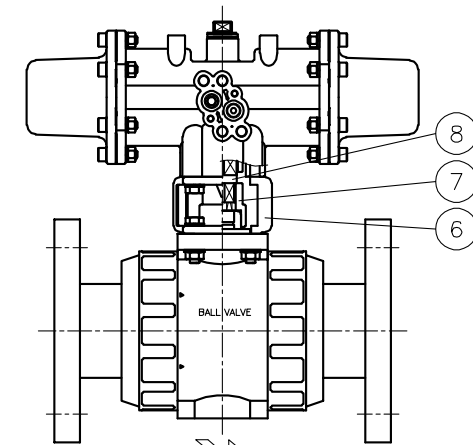
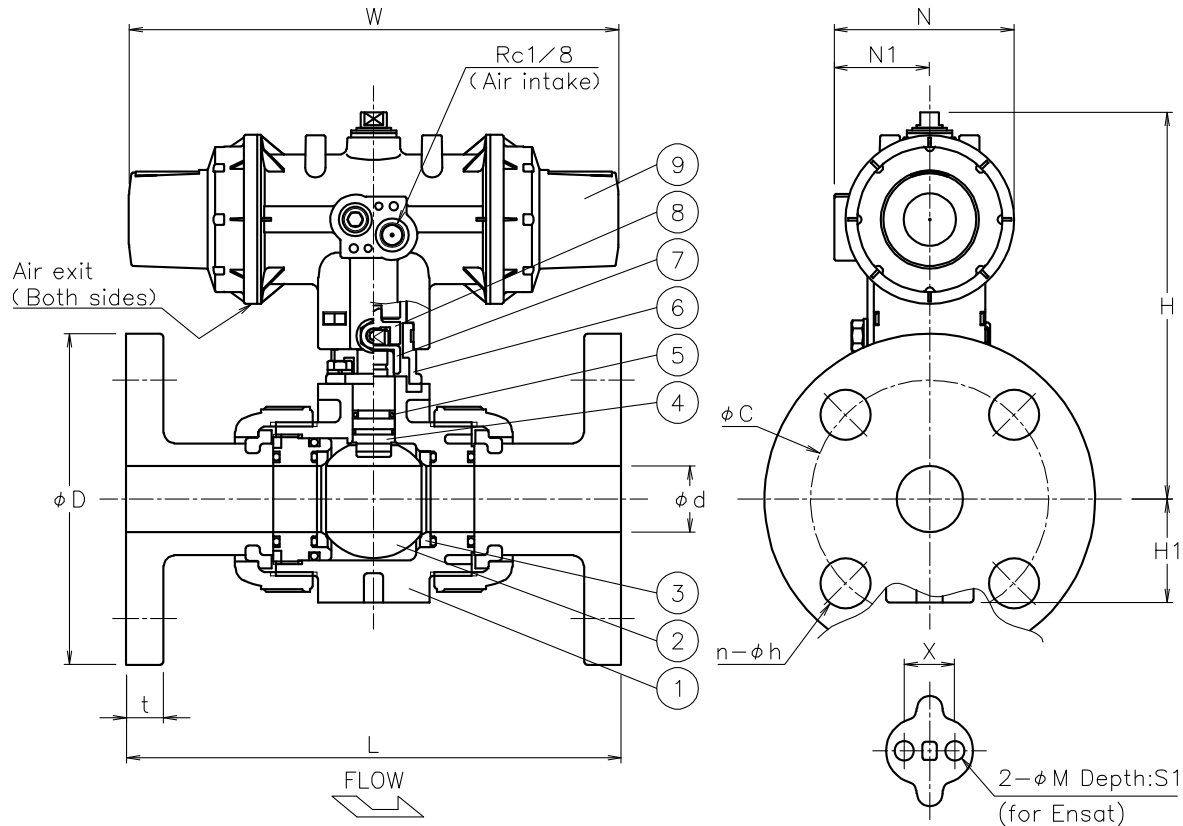


| Size (mm) | d | L | t | D | C | n-h | X | M | S1 | W | N | N1 | H1 | H | Weight (kg) | Cv | Actuator | | Sizing code |
|-----------|----|-----|----|-----|-----|------|----|-----|----|-----|----|----|----|-----|-------------|-----|----------|---------|-------------|
| 15 | 15 | 143 | 12 | 95 | 70 | 4-15 | 19 | 7.3 | 11 | 160 | 57 | 30 | 29 | 117 | 0.9 | 14 | PSO-03D | PSC-03D | 0 |
| 20 | 20 | 172 | 14 | 100 | 75 | 4-15 | 19 | 7.3 | 11 | 160 | 57 | 30 | 35 | 123 | 1.2 | 29 | PSO-03D | PSC-03D | 0 |
| 25 | 25 | 187 | 14 | 125 | 90 | 4-19 | 19 | 7.3 | 11 | 185 | 68 | 36 | 39 | 147 | 1.6 | 47 | PSO-04D | PSC-04D | 0 |
| 32 | 32 | 190 | 16 | 135 | 100 | 4-19 | 30 | 9 | 15 | 185 | 68 | 36 | 47 | 164 | 2.1 | 72 | PSO-04D | PSC-04D | 0 |
| 40 | 40 | 212 | 16 | 140 | 105 | 4-19 | 30 | 9 | 15 | 247 | 82 | 44 | 55 | 195 | 3.3 | 155 | PSO-05D | PSC-05D | 0 |
| 50 | 51 | 234 | 16 | 155 | 120 | 4-19 | 30 | 9 | 15 | 247 | 82 | 44 | 66 | 206 | 4.2 | 190 | PSO-05D | PSC-05D | 0 |
| 65 | 65 | 261 | 18 | 175 | 140 | 4-19 | 48 | 9 | 6 | 288 | 95 | 48 | 72 | 227 | 5.7 | 365 | PSO-05W | PSC-05W | 0 |
| 80 | 78 | 306 | 18 | 185 | 150 | 8-19 | 55 | 11 | 7 | 288 | 95 | 48 | 85 | 236 | 7.7 | 410 | PSO-05W | PSC-05W | 0 |

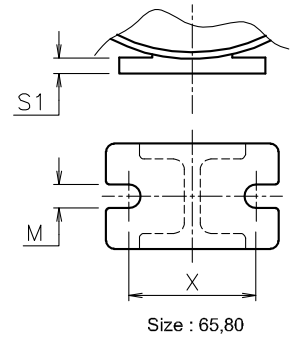


PS*PA901HHV-040
 PS*PA901HHV-050
 PS*PA901HHV-065
 PS*PA901HHV-080

| No | DESCRIPTION | MATERIALS | REQ'D | REMARKS |
|----|-------------|-----------|-------|---------|
| 9 | Actuator | PPS body | 1 | PSO/C |
| 8 | Joint | SUS304 | 1 | |
| 7 | Joint | SCS13A | 1 | |
| 6 | Bracket | SCS13A | 1 | |
| 5 | O-ring | FKM | 2 | |
| 4 | Stem | C-PVC | 1 | (a) |
| 3 | Seat | PTFE | 2 | |
| 2 | Ball | C-PVC | 1 | (a) |
| 1 | Body | C-PVC | 1 | (a) |

| MARK | DATE | BY | APPR'D | K.Y | TITLE | MODEL | SCALE | NON | DWG No. | REMARKS |
|------|------|----|--------|-----------|--|-------------------------|-------|-----|------------------|---------|
| | | | CHK'D | K.Y | J10K Flanged-end (single-acting type) PA type pneumatic actuated ball valve | PSOPA901HHV PSCPA901HHV | | | PA-901HHV-DA1-EN | |
| | | | DESIGN | | | | | | | |
| | | | DRAWN | T.A | | | | | | |
| | | | DATE | '22-12-08 | | | | | | |

NOTE
 (a) Heat-resistant PVC
 1. Air supply : 0.4~0.5 Mpa max 0.7 Mpa
 2. Actuator operation
 PSO serie • Air to intake port : OPEN
 • Spring return : SHUT
 PSC serie • Air to intake port : SHUT
 • Spring return : OPEN
 3. Coupling OD must be less than phi 14.5



| REVISIONS | | |
|-----------|--|---------|
| | | MV-2987 |