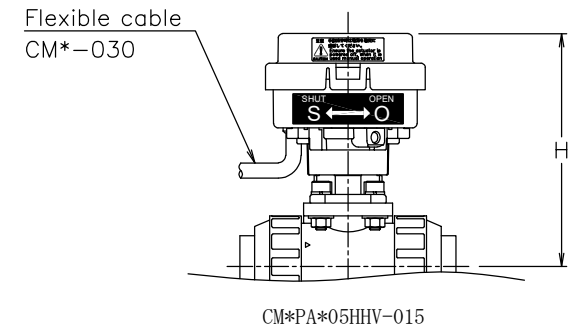
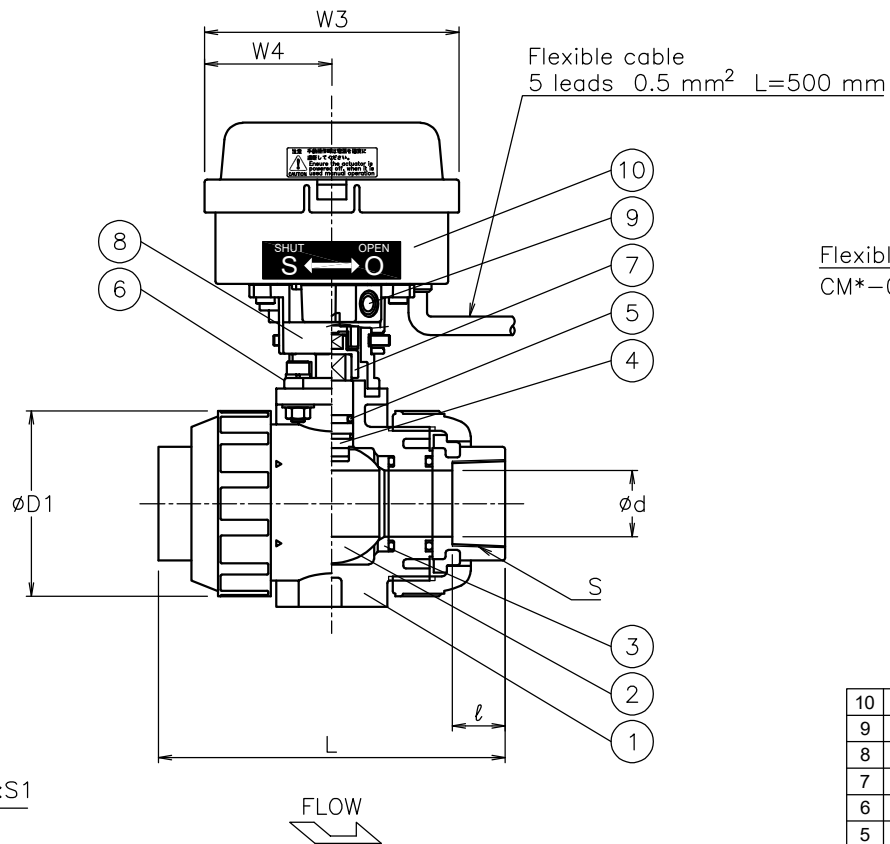
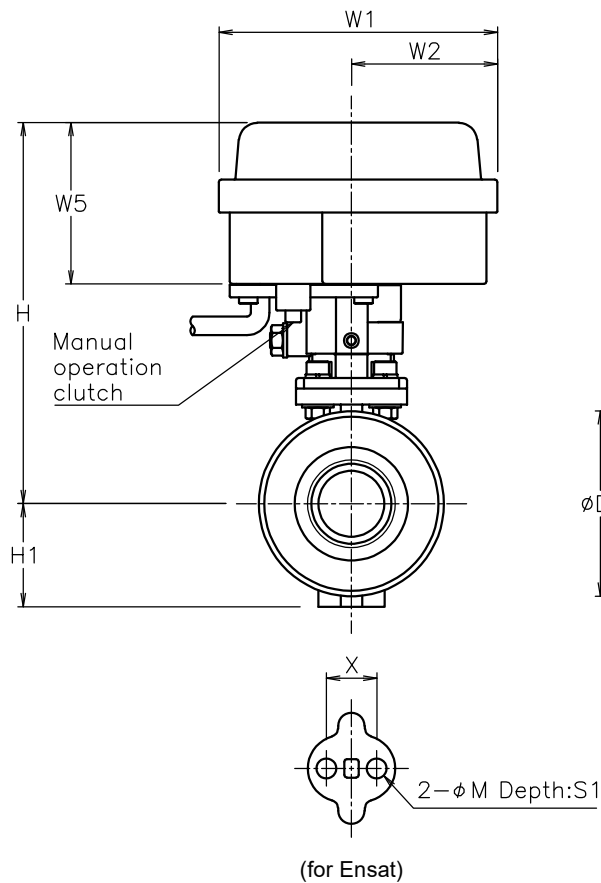


Size [mm]	S	d	D1	ℓ	L	H1	X	M	S1	W1	W2	W3	W4	W5	H	Weight [kg]	Cv	Actuator		Sizing code
15	Rc 1/2	15	48	15	102	29	19	7.3	11	90	46	76	39	44.5	110	0.8	14	CM1-030	CM2-030	0
20	Rc 3/4	20	60	17	120	35	19	7.3	11	105	55	96	48	61	137	1.2	29	CM1-070	CM2-070	0
25	Rc 1	25	70	20	131	39	19	7.3	11	105	55	96	48	61	144	1.4	47	CM1-070	CM2-070	0
32	Rc1 1/4	32	82	22	150	47	30	9	15	105	55	96	48	61	161	1.7	72	CM1-070	CM2-070	0



No	DESCRIPTION	MATERIALS	REQ'D	REMARKS
10	Actuator	PC Case	1	
9	Joint	PPS	1	
8	Bracket	PPS	1	
7	Joint	SCS13A	1	
6	Bracket	SCS13A	1	
5	O-ring	FKM	2	
4	Stem	C-PVC	1	(a)
3	Seat	PTFE	2	
2	Ball	C-PVC	1	(a)
1	Body	C-PVC	1	(a)

NOTE
(a) Heat-resistant PVC

For manual operation on CM*-070, press the clutch button while operating it.

MARK	DATE	BY	DATE	SCALE	NON	DWG No.	PA-05HHV-CD4-EN
REVISIONS							
MV-2969							
APPR'D	H.F	TITLE	Threaded End Rc PA type motorized ball valve				
CHK'D	K.Y	MODEL	CM1PA*05HHV CM2PA*05HHV				
DESIGN	S.O						
DRAWN							