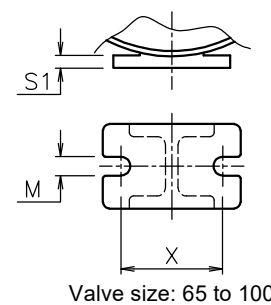
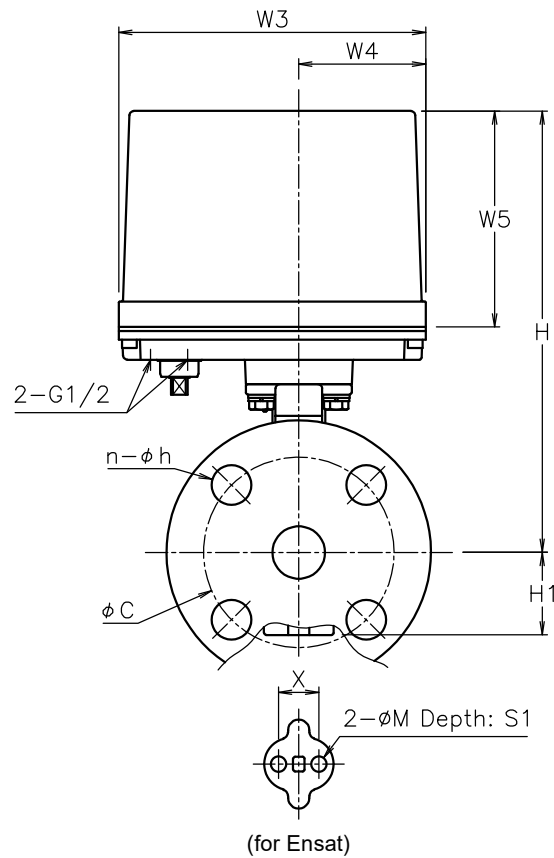
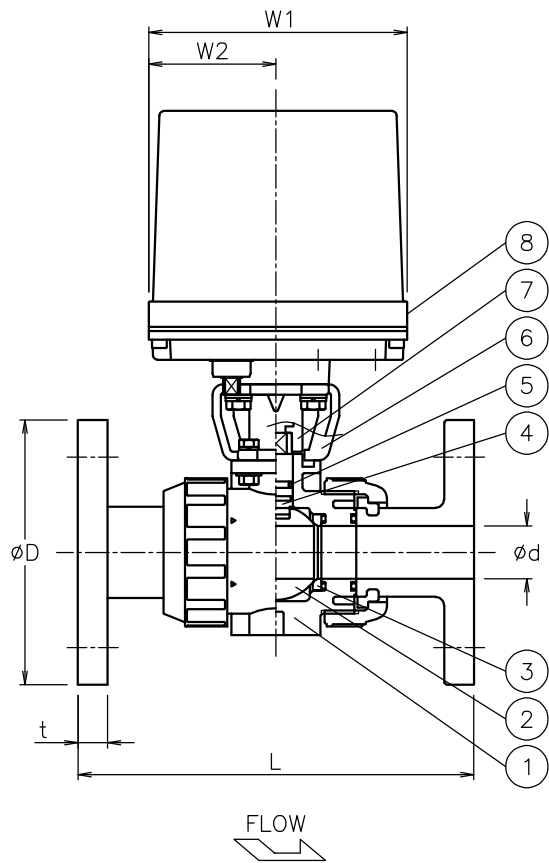


Size [mm]	d	L	t	D	C	n-h	H1	X	M	S1	W1	W2	W3	W4	W5	H	Weight [kg]	Cv	Actuator		Sizing code
15	15	143	12	95	70	4-15	29	19	7.3	11	122	60	145	60	102	195	3	14	AE1-120	AE2-120	0
20	20	172	14	100	75	4-15	35	19	7.3	11	122	60	145	60	102	202	3.3	29	AE1-120	AE2-120	0
25	25	187	14	125	90	4-19	39	19	7.3	11	122	60	145	60	102	209	3.5	47	AE1-120	AE2-120	0
32	32	190	16	135	100	4-19	47	30	9	15	122	60	145	60	102	218	3.8	72	AE1-120	AE2-120	0
40	40	212	16	140	105	4-19	55	30	9	15	122	60	145	60	102	226	4.4	155	AE1-120	AE2-120	0
50	51	234	16	155	120	4-19	66	30	9	15	122	60	145	60	102	238	5.9	190	AE1-300	AE2-300	0
65	65	261	18	175	140	4-19	72	48	9	6	122	60	145	60	102	258	6.9	365	AE1-300	AE2-300	0
											122	60	145	60	102	274			AE1-600	AE2-600	2
80	78	306	18	185	150	8-19	85	55	11	7	122	60	145	60	102	283	8.9	410	AE1-600	AE2-600	0
100	100	374	18	210	175	8-19	110	65	11	8	122	60	145	60	102	324	15	680	AE1-600	AE2-600	0
											160	97	175	63	115	373			21	AE1-02K	AE2-02K



Valve size: 65 to 100

NOTE
(a) Heat-resistant PVC

ATTACHMENT
Cable gland (nylon), G1/2, for 6φ to 12φ cable.
Plug.

More than Size 65
do not have a flow mark.

No	DESCRIPTION	MATERIALS	REQ'D	REMARKS
8	Actuator		1	
7	Joint	SCS13A/SUS303	1	
6	Bracket	SCS13A/SUS304	1	
5	O-ring	FKM	2	
4	Stem	C-PVC	1	(a)
3	Seat	PTFE	2	
2	Ball	C-PVC	1	(a)
1	Body	C-PVC	1	(a)

MARK	DATE	BY	DATE	'21-03-30	SCALE	NON	DWG No.	PA-*1HHV-AE4-EN
REVISIONS								
MV-2895								
				NIPPON VALVE CONTROLS, INC.				