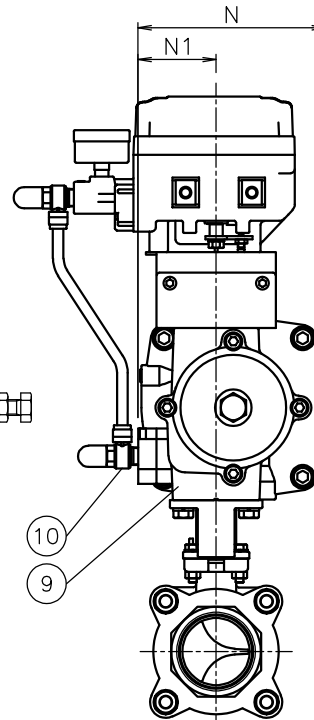
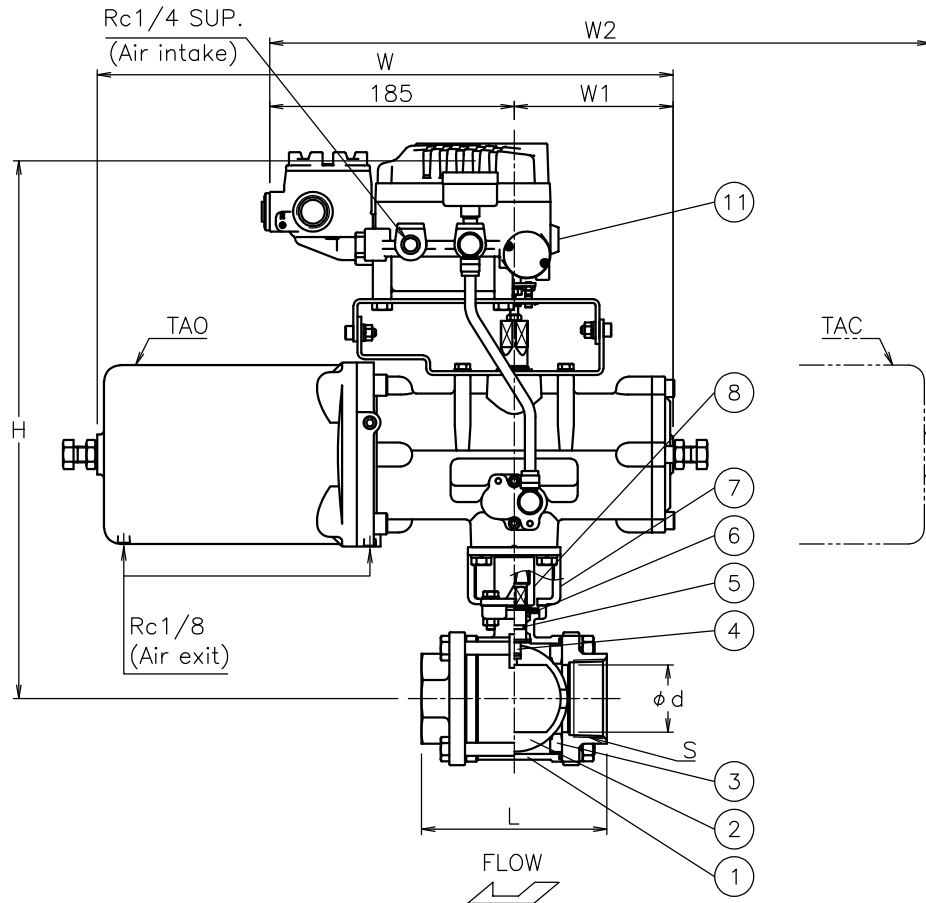


TA*MV905UUP-025-EP
 TA*MV905UUP-032-EP
 TA*MV905UUP-040-EP
 TA*MV905UUP-050-EP

Size [mm]	S	d	L	W	W1	W2	N	N1	H	Weight [kg]	Cv	Actuator	Sizing code
R10	Rc 3/8	(13)	60	305	85	405	103	50	332	8.2	1.3	TA*-050	2
R15	Rc 1/2	(15)	75	305	85	405	103	50	332	8.2	1.3	TA*-050	2
15	Rc 1/2	(15)	75	305	85	405	103	50	332	8.2	4	TA*-050	2
20	Rc 3/4	(20)	80	305	85	405	103	50	336	8.4	7.5	TA*-050	2
25	Rc 1	(25)	90	305	85	405	103	50	307	8.5	12	TA*-050	0
				367	102	450	119	52	356	11		TA*-063	2
32	Rc1 1/4	(32)	110	305	85	405	103	50	312	9.3	20	TA*-050	0
				367	102	450	119	52	361	12		TA*-063	2
40	Rc1 1/2	(38)	120	367	102	450	119	52	336	12	31	TA*-063	0
				435	120	500	142	59	411	16		TA*-080	2
50	Rc 2	(50)	140	367	102	450	119	52	345	14	48	TA*-063	0
				435	120	500	142	59	420	18		TA*-080	2



NOTE

- 1) Air supply: 0.4 to 0.5Mpa. Max 0.7Mpa.
- 2) Actuator operation

	Type	Input signal		Airless
		4 mA	20 mA	
TAO	C	SHUT	OPEN	SHUT
	D	OPEN	SHUT	
TAC	E	SHUT	OPEN	OPEN
	T	OPEN	SHUT	

This drawing is TAO. Actuator operation: C-type.

No	DESCRIPTION	MATERIALS	REQ'D	REMARKS
11	Electric-pneumatic positioner		1	EP
10	Speed controller spatter		2	
9	Actuator		1	TAO/C
8	Joint	SUS304	1	
7	Bracket	SCS13A	1	
6	Packing	R-PTFE	1	
5	O-ring	FKM	1	
4	Stem	SUS316	1	
3	Seat	R-PTFE	2	
2	Ball	SCS14A/SUS316	1	
1	Body	SCS14A	1	

MARK	DATE	BY	DATE	'22-12-13	SCALE	NON	DWG No.	MV-9*5UUP-EP-TD7-EN
REVISIONS								
MV-2988								
APPR'D	H.F	TITLE	Threaded End Rc (single-acting type) MV type pneumatic actuated 3 piece ball valve					
CHK'D	K.Y	MODEL	TACMV9*5UUP-EP TACMV9*5UUP-EP					
DESIGN	S.O							
DRAWN								