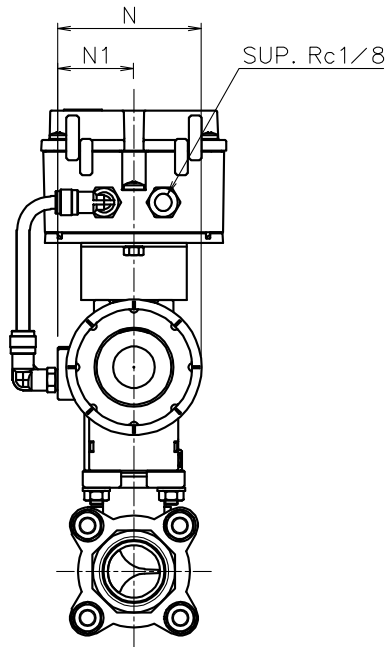
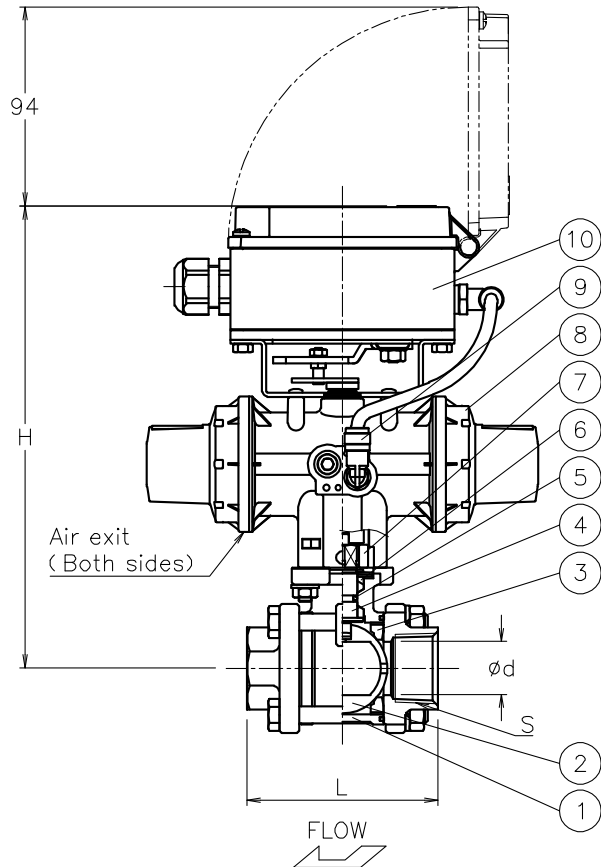
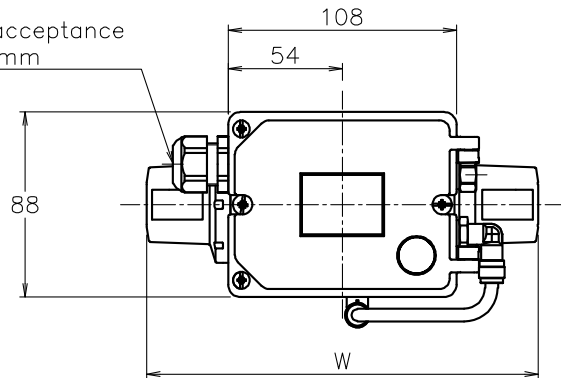


Cable acceptance  
 $\phi 6\sim 12\text{mm}$



Valve DN	S	d	L	W	N	N1	H	Weight (kg)	Cv	Actuator		Sizing code
R10 A	Rc 3/8	(13)	60	185	68	36	210	2	1.3	PSO-04D	PSC-04D	0
R15 A	Rc 1/2	(15)	75	185	68	36	210	2	1.3	PSO-04D	PSC-04D	0
15 A	Rc 1/2	(15)	75	185	68	36	210	2	4	PSO-04D	PSC-04D	0
20 A	Rc 3/4	(20)	80	185	68	36	214	2.2	7.5	PSO-04D	PSC-04D	0
25 A	Rc 1	(25)	90	185	68	36	219	2.5	12	PSO-04D	PSC-04D	0
32 A	Rc1 1/4	(32)	110	247	82	44	232	3.8	20	PSO-05D	PSC-05D	0
40 A	Rc1 1/2	(38)	120	288	95	48	241	5	31	PSO-05W	PSC-05W	0
50 A	Rc 2	(50)	140	288	95	48	250	6.7	48	PSO-05W	PSC-05W	0

NOTE

- Air supply : 0.4~0.5 Mpa max 0.7 Mpa
- Actuator operation
  - PSO serie
    - Type C : Open by the increase of input signal, shut with no air supply.
    - Type D : Shut by the increase of input signal, shut with no air supply.
  - PSC serie
    - Type E : Open by the increase of input signal, open with no air supply.
    - Type T : Shut by the increase of input signal, open with no air supply.

No	DESCRIPTION	MATERIALS	REQ'D	REMARKS
10	Smart positioner		1	EX
9	Tube fitting spatter	Flame-retarded resin	2	
8	Actuator	PPS body	1	PSO/C
7	Joint	SUS304	1	
6	Packing	R-PTFE	1	
5	O-ring	FKM	1	
4	Stem	SUS316	1	
3	Seat	R-PTFE	2	
2	Ball	SCS14A/SUS316	1	
1	Body	SCS14A	1	

MARK	DATE	BY	DATE	SCALE	NON	DWG No.	MODEL	TITLE
								Valve DN: R10~50 A
								Threaded End Rc (single-acting type)
								MV type pneumatic actuated 3 piece ball valve
								PSOMV905UUP-EX PSCMV905UUP-EX
			'22-12-08					MV-905UUP-EX-DA1-EN
REVISIONS								
MV-2987								