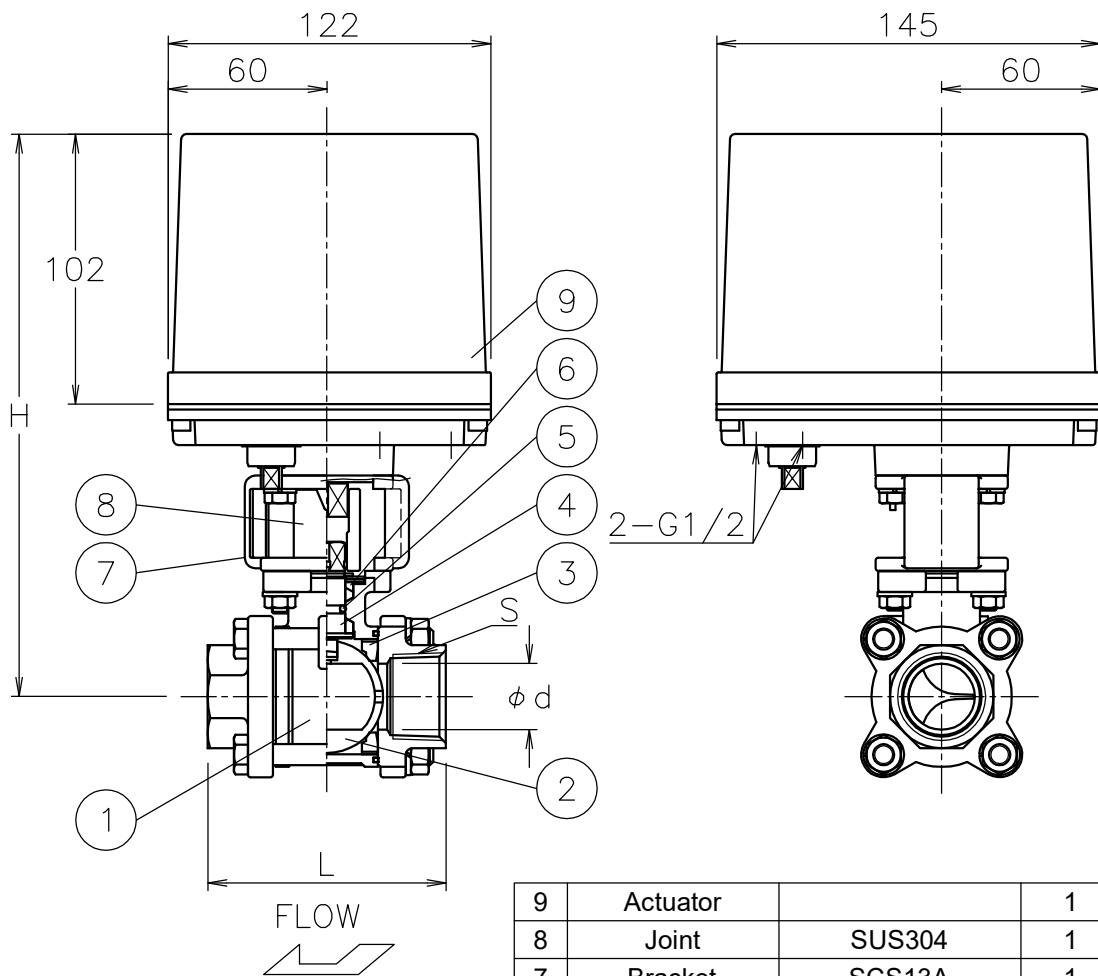


Size [mm]	S	d	L	H	Weight [kg]	Cv	Actuator	Sizing code
R10	Rc 3/8	(13)	60	204	3.1	1.3	PEX-120	0
							PEX-300	2
R15	Rc 1/2	(15)	75	204	3.1	1.3	PEX-120	0
							PEX-300	2
15	Rc 1/2	(15)	75	204	3.1	4	PEX-120	0
							PEX-300	2
20	Rc 3/4	(20)	80	208	3.3	7.5	PEX-120	0
							PEX-300	2
25	Rc 1	(25)	90	213	3.7	12	PEX-300	0
32	Rc1 1/4	(32)	110	218	4.5	20	PEX-300	0
40	Rc1 1/2	(38)	120	227	5.1	31	PEX-300	0
50	Rc 2	(50)	140	252	7.1	48	PEX-700	0



NOTE

Actuator material: Aluminum alloy diecast cover.

ATTACHMENT

Cable gland (nylon), G 1/2, for 6φ to 12φ cable.
Plug.

9	Actuator		1	
8	Joint	SUS304	1	
7	Bracket	SCS13A	1	
6	Packing	R-PTFE	1	
5	O-ring	FKM	1	
4	Stem	SUS316	1	
3	Seat	R-PTFE	2	
2	Ball	SCS14A/SUS316	1	
1	Body	SCS14A	1	
No	DESCRIPTION	MATERIALS	REQ'D	REMARKS

			APPR'D	H.F	TITLE	Threaded End Rc MV type electric actuated 3 piece control valve			
			CHK'D	K.Y		MODEL	PEXMV**5UUP		
			DESIGN		SCALE		NON	DWG No.	MV-*5UUP-PE2-EN
MARK	DATE	BY	DATE	'18-11-20					
REVISIONS									
MV-2745									