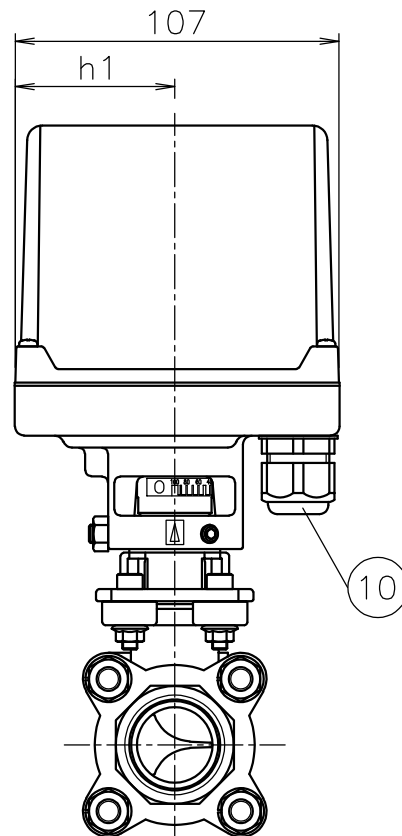
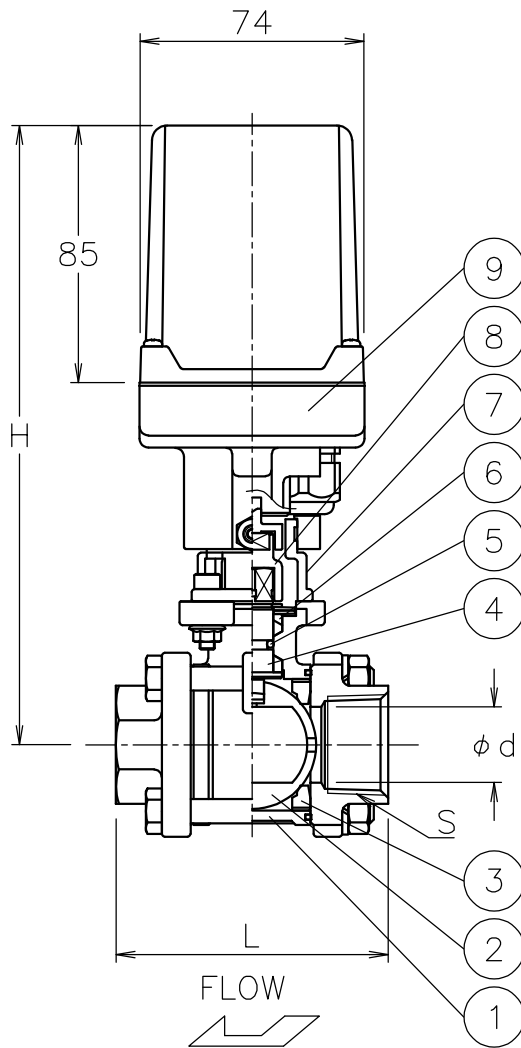


Size [mm]	S	d	L	h1	H	Weight [kg]	Cv	Actuator	Sizing code
R10	Rc 3/8	(13)	60	36	177	2	1.3	PAX-050	1
				53	191	2.2		PAX-120	0
R15	Rc 1/2	(15)	75	36	177	2	1.3	PAX-050	1
				53	191	2.2		PAX-120	0
15	Rc 1/2	(15)	75	36	177	2	4	PAX-050	1
				53	191	2.2		PAX-120	0
20	Rc 3/4	(20)	80	53	194	2.4	7.5	PAX-120	0
25	Rc 1	(25)	90	53	205	2.8	12	PAX-120	0



**NOTE**

(a) Cable acceptance 5φ to 10.5φ mm.

10	Cable gland	NYLON 6	1	G3/8 (a)
9	Actuator	ADC12/PC Cover	1	
8	Joint	SCS13A	1	
7	Bracket	SCS13A	1	
6	Packing	R-PTFE	1	
5	O-ring	FKM	1	
4	Stem	SUS316	1	
3	Seat	R-PTFE	2	
2	Ball	SCS14A/SUS316	1	
1	Body	SCS14A	1	
No	DESCRIPTION	MATERIALS	REQ'D	REMARKS

			APPR'D	H.F	TITLE	Threaded End Rc MV type motorized 3 piece control valve				
			CHK'D	K.Y						
			DESIGN		MODEL	PAXMV**5UUP				
			DRAWN	S.O						
MARK	DATE	BY	DATE	'21-07-01	SCALE	NON	DWG No.	MV-*5UUP-AX15-EN		
REVISIONS										
MV-2890										