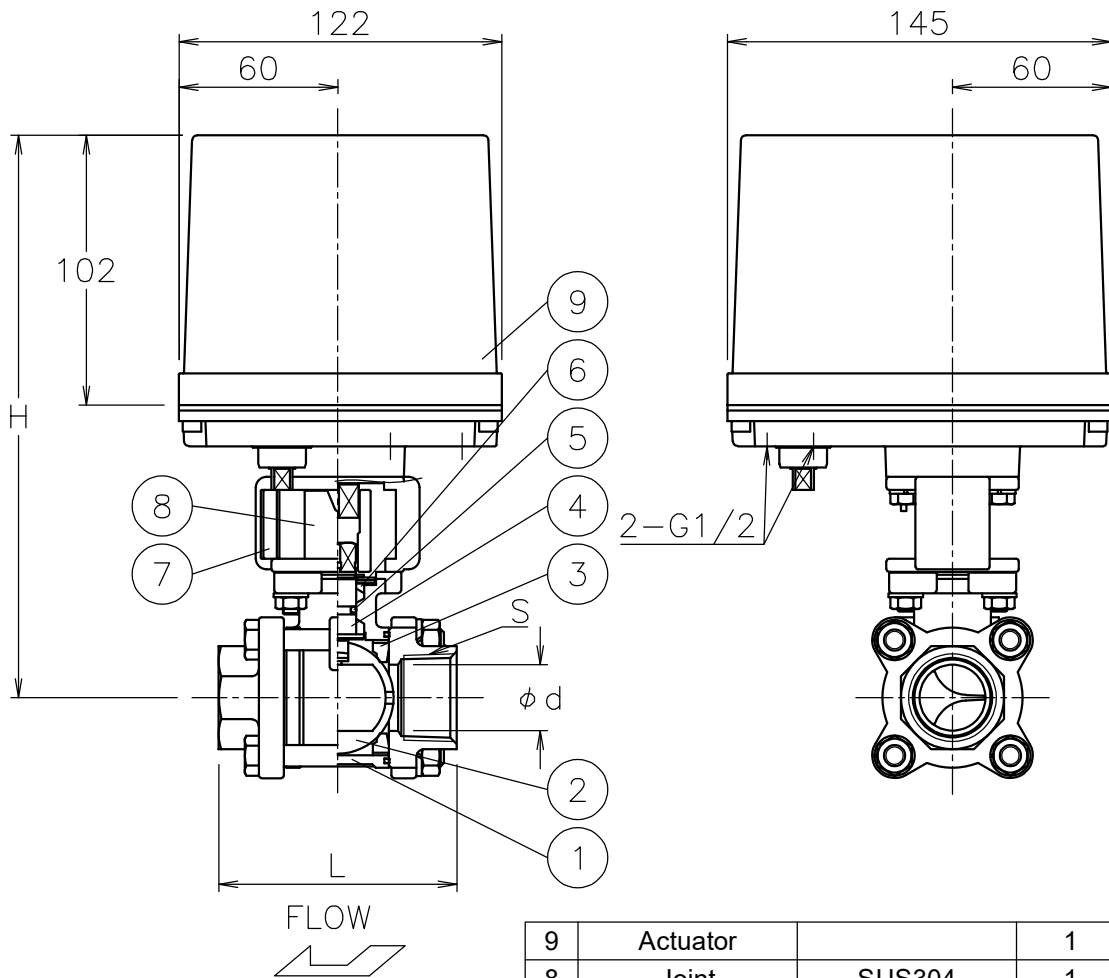



Size [mm]	S	d	L	H	Weight [kg]	Cv	Actuator	Sizing code
R10	Rc 3/8	(13)	60	204	3.1	1.3	AEX-120	0
R15	Rc 1/2	(15)	75	204	3.1	1.3	AEX-120	0
15	Rc 1/2	(15)	75	204	3.1	4	AEX-120	0
20	Rc 3/4	(20)	80	208	3.3	7.5	AEX-120	0
25	Rc 1	(25)	90	213	3.7	12	AEX-120	0
					4.1		AEX-360	2
32	Rc1 1/4	(32)	110	218	4.9	20	AEX-360	0
40	Rc1 1/2	(38)	120	227	5.5	31	AEX-360	0
50	Rc 2	(50)	140	236	7.2	48	AEX-360	0
				252	7.4		AEX-700	2



NOTE
ATTACHMENT
Cable gland (nylon), G1/2, for 6φ to 12φ cable.
Plug.

9	Actuator		1	
8	Joint	SUS304	1	
7	Bracket	SCS13A	1	
6	Packing	R-PTFE	1	
5	O-ring	FKM	1	
4	Stem	SUS316	1	
3	Seat	R-PTFE	2	
2	Ball	SCS14A/SUS316	1	
1	Body	SCS14A	1	
No	DESCRIPTION	MATERIALS	REQ'D	REMARKS

			APPR'D	H.F	TITLE	Rcねじ込み形 MV type electric actuated 3 piece control valve				
			CHK'D	K.Y						
			DESIGN		MODEL	AEXMV**5UUP				
			DRAWN	S.O						
MARK	DATE	BY	DATE	'22-05-17	SCALE	NON	DWG No.	MV-*5UUP-EX10-EN		
REVISIONS			 NIPPON VALVE CONTROLS, INC.							
MV-2959										