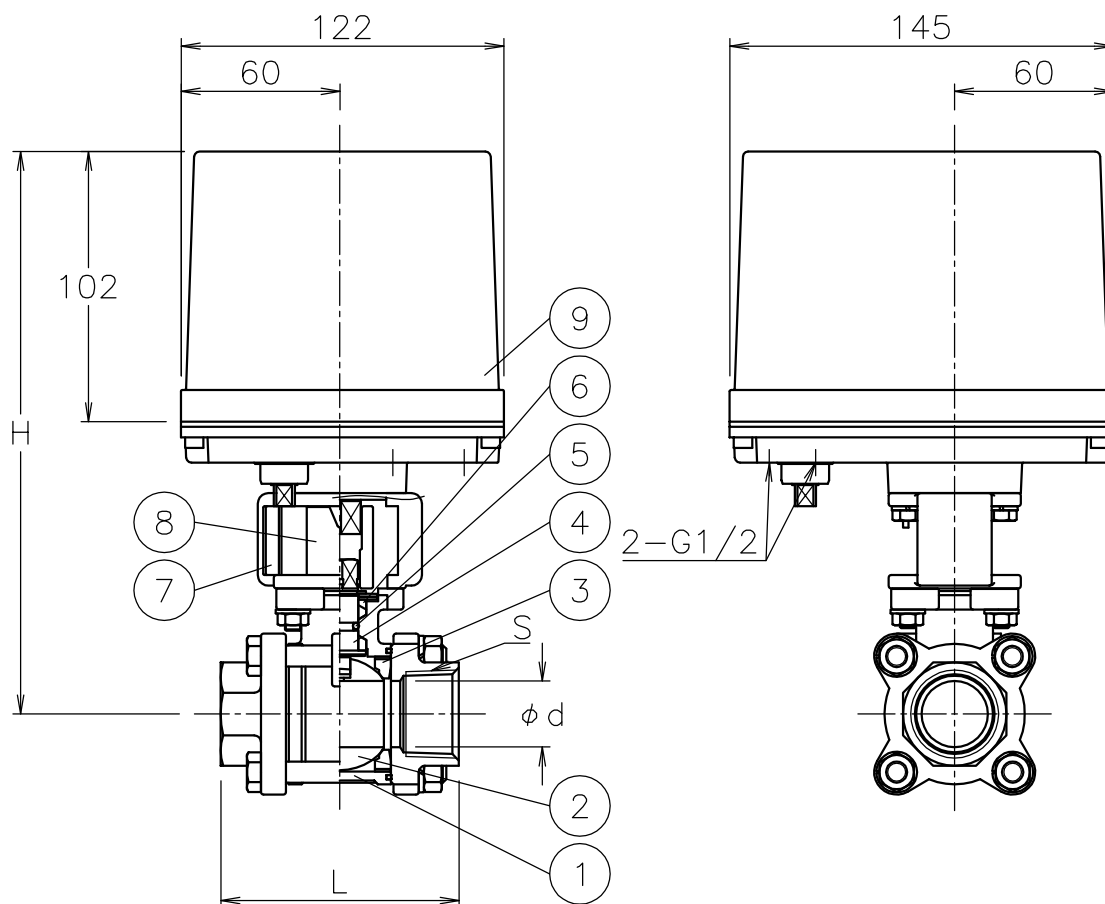


Size [mm]	S	d	L	H	Weight [kg]	Actuator	Sizing code
10	Rc 3/8	13	60	204	3.1	ECR-120	0
15	Rc 1/2	15	75	204	3.1	ECR-120	0
20	Rc 3/4	20	80	208	3.3	ECR-120	0
25	Rc 1	25	90	213	3.7	ECR-120	0
32	Rc1 1/4	32	110	218	5.1	ECR-360	0
40	Rc1 1/2	38	120	227	5.7	ECR-360	0
50	Rc 2	50	140	236	7.4	ECR-360	0




NOTE

Actuator material: Aluminum alloy diecast cover.

ATTACHMENT

Cable gland (nylon), G 1/2, for 6φ to 12φ cable.
Plug.

9	Actuator		1	
8	Joint	SUS304	1	
7	Bracket	SCS13A	1	
6	Packing	R-PTFE	1	
5	O-ring	FKM	1	
4	Stem	SUS316	1	
3	Seat	R-PTFE	2	
2	Ball	SCS14A	1	
1	Body	SCS14A	1	
No	DESCRIPTION	MATERIALS	REQ'D	REMARKS

			APPR'D	H.F	TITLE	Threaded End Rc MS type electric emergency shut off 3 piece ball valve			
			CHK'D	K.Y		MODEL	ECRMS*05UUP		
			DESIGN		SCALE		NON	DWG No.	MS-05UUP-EC7-EN
MARK	DATE	BY	DATE	'18-10-01					
REVISIONS				 NIPPON VALVE CONTROLS, INC.					
MV-2730									