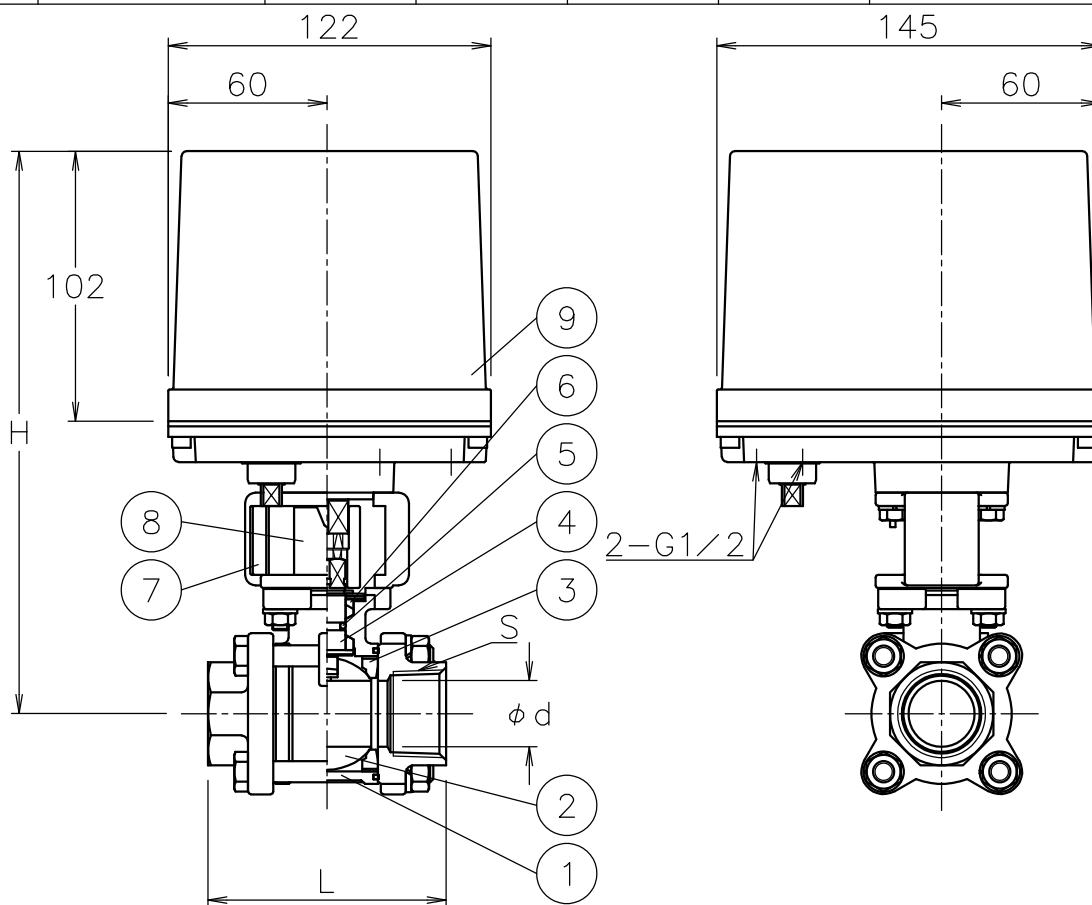


Valve DN	S	d	L	H	Weight (kg)	Actuator	Sizing code
10 A	Rc 3/8	13	60	204	3	AEX-120	0
15 A	Rc 1/2	15	75	204	3	AEX-120	0
					3.4	AEX-360	2
20 A	Rc 3/4	20	80	208	3.2	AEX-120	0
					3.6	AEX-360	2
25 A	Rc 1	25	90	213	3.6	AEX-120	0
					4	AEX-360	2
32 A	Rc1 1/4	32	110	218	4.8	AEX-360	0
40 A	Rc1 1/2	38	120	227	5.4	AEX-360	0
50 A	Rc 2	50	140	236	7	AEX-360	0
				252	7.3	AEX-700	2




NOTE

Attachment

- Cable gland (nylon), G1/2, for $\phi 6 \sim 12$ cable
- Plug

9	Actuator	Aluminum alloy die-cast cover	1	
8	Joint	SUS304	1	
7	Bracket	SCS13A	1	
6	Packing	R-PTFE	1	
5	O-ring	FKM	1	
4	Stem	SUS316	1	
3	Seat	R-PTFE	2	
2	Ball	SCS14A	1	
1	Body	SCS14A	1	
No	DESCRIPTION	MATERIALS	REQ'D	REMARKS

			APPR'D	H.F	TITLE	Threaded End Rc Valve DN: 10~50 A		
			CHK'D	K.Y		MS type electric actuated 3 piece control valve		
			DESIGN		MODEL	AEXMS**5UUP		
			DRAWN	P.O				
MARK	DATE	BY	DATE	'16-05-31	SCALE	NON	DWG No.	MS-*5UUP-EX8a-EN
REVISIONS			 NIPPON VALVE CONTROLS, INC.					
MV-2319								