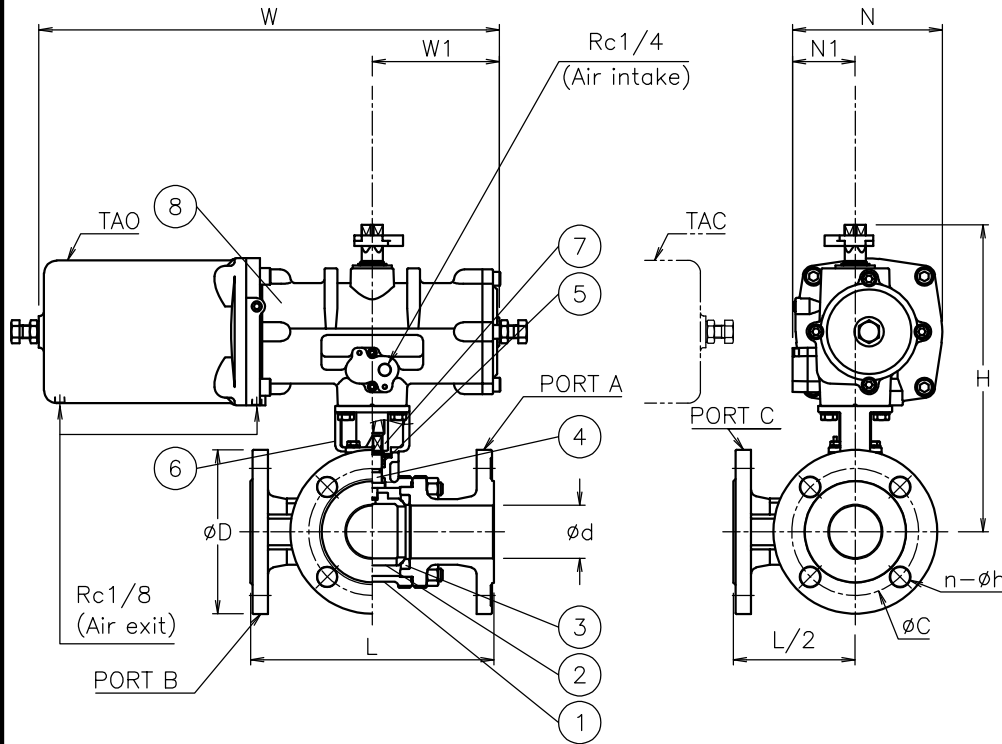
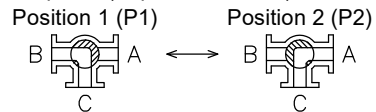


Size [mm]	d	L	D	C	n-h	W	W1	N	N1	H	Weight [kg]	Cv P1/P2	Actuator	Sizing code
20	20	150	100	75	4-15	305	85	103	50	204	6.7	24	TA*-050	0
25	25	170	125	90	4-19	305	85	103	50	211	8.7	40	TA*-050	0
						367	102	119	52	226	11		TA*-063	2
40	40	200	140	105	4-19	367	102	119	52	211	14	100	TA*-063	0
						435	120	142	59	282	18		TA*-080	2
50	50	230	155	120	4-19	367	102	119	52	219	16	170	TA*-063	0
						435	120	142	59	290	20		TA*-080	2
65	65	260	175	140	4-19	435	120	142	59	271	26	240	TA*-080	0
80	80	280	185	150	8-19	435	120	142	59	283	29	380	TA*-080	0
						530	147	174	71	314	37		TA*-100	2
100	100	340	210	175	8-19	530	147	174	71	340	47	680	TA*-100	0
						688	183	193	74	365	59		TA*-125	2



Flow paths (Top view of valve)

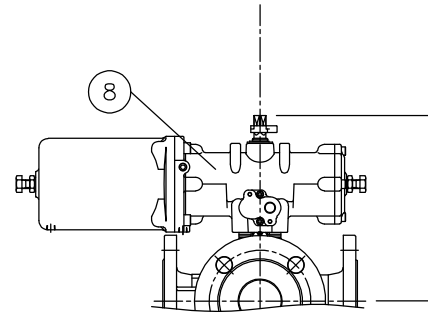


NOTE

- 1) Air supply: 0.4 to 0.5 Mpa. Max 0.7 Mpa.
- 2) Actuator operation

	Air to intake port	Spring return
TAO	P2	P1
TAC	P1	P2

This drawing is TAO.



TA*LR901TTP-040
 TA*LR901TTP-050
 TA*LR9*1TTP-065
 TA*LR9*1TTP-080
 TA*LR9*1TTP-100

No	DESCRIPTION	MATERIALS	REQ'D	REMARKS
8	Actuator		1	TAO/C
7	Joint	SUS304	1	
6	Bracket	SCS13A	1	
5	Packing	R-PTFE	1set	
4	Stem	SUS304	1	
3	Seat	R-PTFE	2	
2	Ball	SUS304/SCS13A	1	
1	Body	SCS13A	1	

MARK	DATE	BY	DATE	'24-04-04	SCALE	NON	DWG No.	LR-*1TTP-TD4-EN
REVISIONS								
MV-3059								