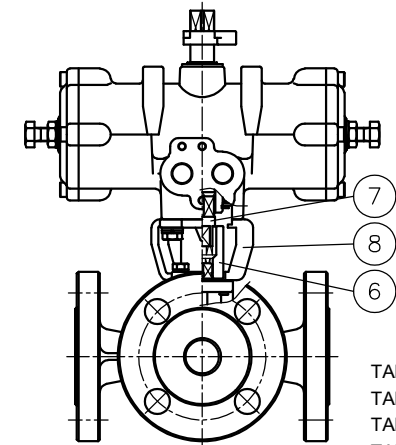
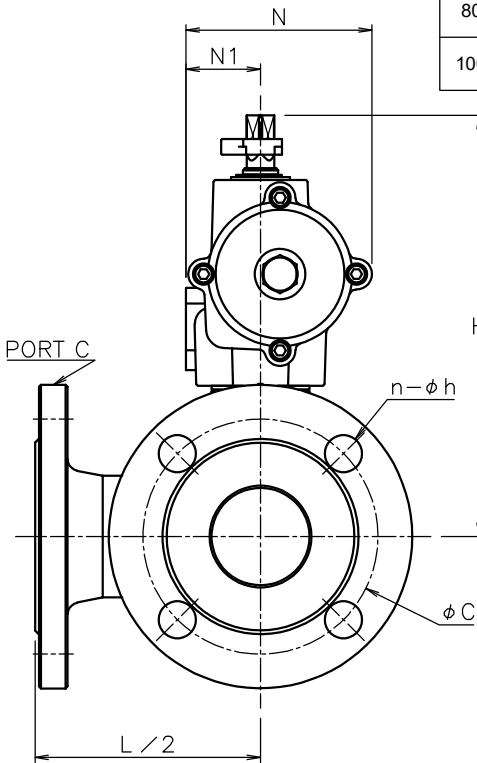
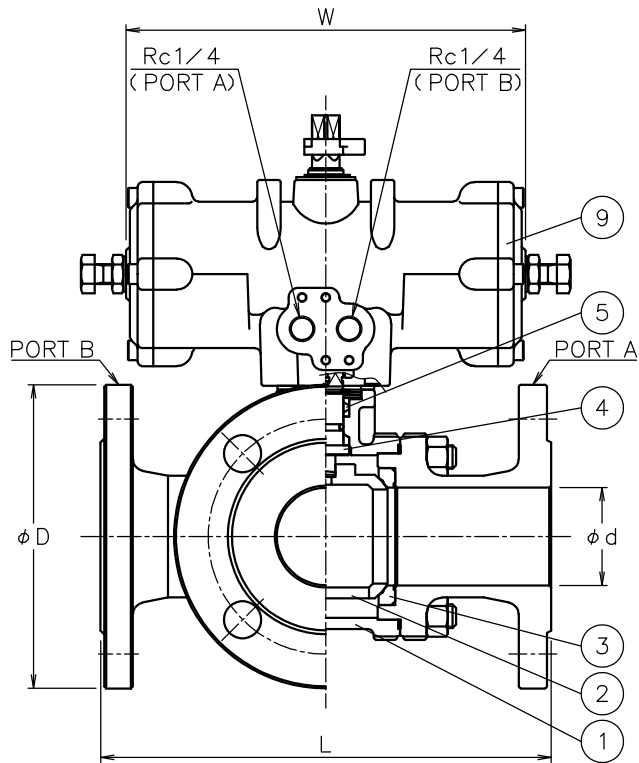


Size (mm)	d	L	D	C	n-h	W	N	N1	H	Weight (kg)	Cv ON-OFF	Actuator	Sizing code
20	20	150	100	75	4-15	170	82	36	204	4.9	24	TAD-050	0
25	25	170	125	90	4-19	170	82	36	211	7	40	TAD-050	0
						204	95	38	226	7.8		TAD-063	2
40	40	200	140	105	4-19	204	95	38	207	11	100	TAD-063	0
						240	116	45	282	13		TAD-080	2
						204	95	38	215	13		TAD-063	0
50	50	230	155	120	4-19	240	116	45	290	15	170	TAD-080	2
						240	116	45	271	21		240	TAD-080
65	65	260	175	140	4-19	240	116	45	283	24	380	TAD-080	0
						294	143	57	314	26		TAD-100	2
80	80	280	185	150	8-19	294	143	57	340	37	680	TAD-100	0
						366	150	60	365	41		TAD-125	2
						294	143	57	340	37		680	TAD-100



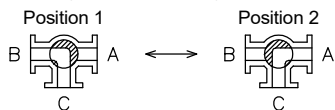
TADLR901TTP-020  
TADLR901TTP-025  
TADLR921TTP-025  
TADLR921TTP-040  
TADLR921TTP-050

No	DESCRIPTION	MATERIALS	REQ'D	REMARKS
9	Actuator		1	TAD
8	Bracket	SCS13A	1	
7	Joint	SUS304	1	
6	Joint	SUS304	1	
5	Packing	R-PTFE	1set	
4	Stem	SUS304	1	
3	Seat	R-PTFE	2	
2	Ball	SUS304/SCS13A	1	
1	Body	SCS13A	1	

NOTE

- Air supply: 0.4~0.5 MPa max 0.7 MPa
- Actuator operation
  - Air to port A: Position 1
  - Air to port B: Position 2

Flow paths (Top view of valve)



MARK	DATE	BY	DATE	APPR'D	H.F	TITLE	J10K Flanged-end (double-acting type) LR type pneumatic actuated 3 way ball valve		
				CHK'D	K.Y	MODEL	TADLR9*1TTP		
				DESIGN					
				DRAWN	P.O				
			'17-03-27			SCALE	NON	DWG No.	LR-9*1TTP-TA3-EN
REVISIONS									
MV-2602									