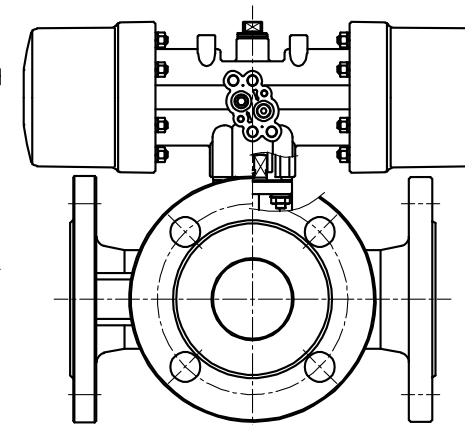
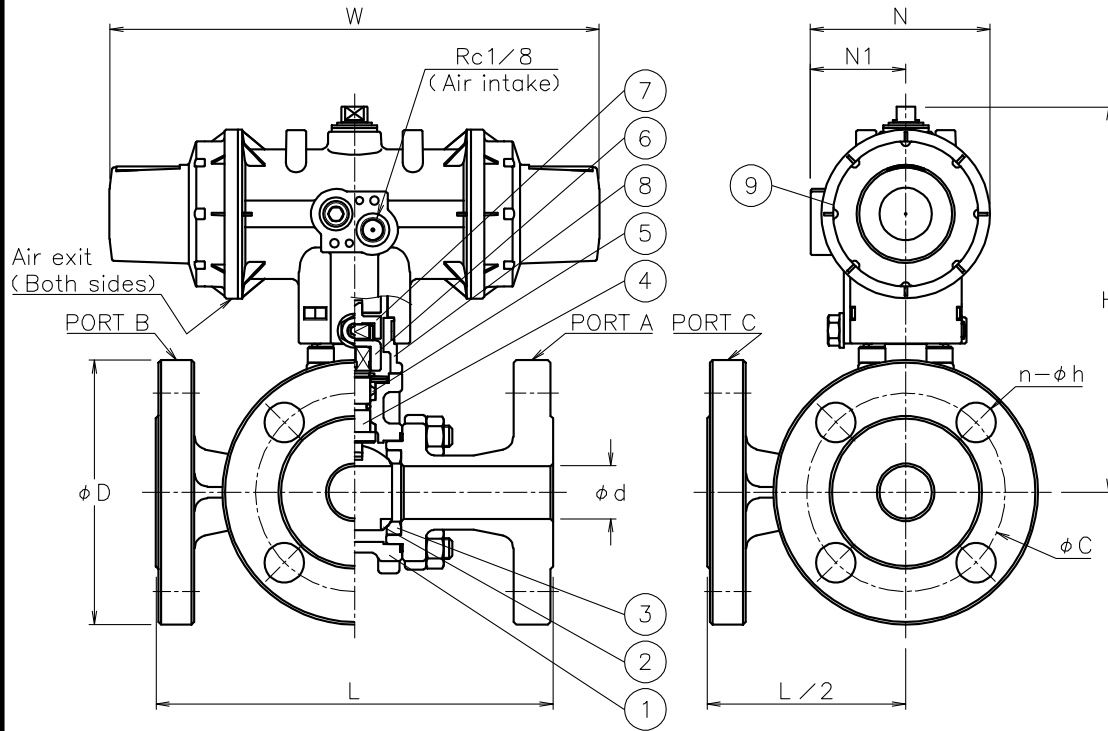
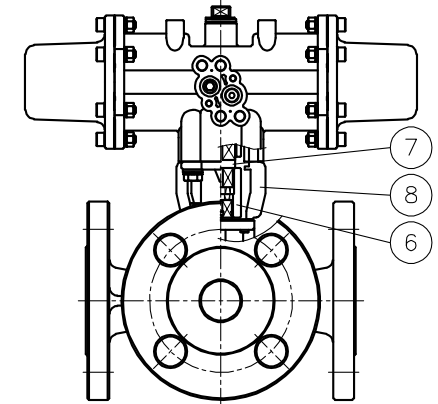


Size (mm)	d	L	D	C	n-h	W	N	N1	H	Weight (kg)	Cv ON-OFF	Actuator		Sizing code
20	20	150	100	75	4-15	185	68	36	146	4	24	PSO-04D	PSC-04D	0
25	25	170	125	90	4-19	247	82	44	185	6.8	40	PSO-05D	PSC-05D	0
40	40	200	140	105	4-19	288	95	48	168	11	100	PSO-05W	PSC-05W	0
50	50	230	155	120	4-19	288	95	48	175	13	170	PSO-05W	PSC-05W	0



PS*LR901TTP-040
PS*LR901TTP-050

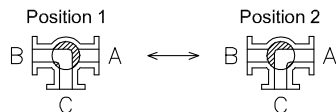


PS*LR901TTP-025

NOTE

- Air supply : 0.4~0.5 Mpa max 0.7 Mpa
- Actuator operation
 - PSO serie ▪ Air to intake port : Position 2
 - Spring return : Position 1
 - PSC serie ▪ Air to intake port : Position 1
 - Spring return : Position 2
- Coupling OD must be less than $\phi 14.5$

Flow paths (Top view of valve)



No	DESCRIPTION	MATERIALS	REQ'D	REMARKS
9	Actuator	PPS body	1	PSO/C
8	Bracket	SCS13A	1	
7	Joint	SUS304	1	
6	Joint	SUS304/SCS13A	1	
5	Packing	R-PTFE	1set	
4	Stem	SUS304	1	
3	Seat	R-PTFE	2	
2	Ball	SUS304/SCS13A	1	
1	Body	SCS13A	1	

MARK	DATE	BY	DATE	SCALE	NON	DWG No.	LR-901TTP-DA1-EN
REVISIONS							
MV-2987							
				APPR'D	K.Y	TITLE	
				CHK'D	K.Y	J10K Flanged-end (single-acting type) LR type pneumatic actuated 3 way ball valve	
				DESIGN		MODEL	
				DRAWN	T.A	PSOLR901TTP PSCLR901TTP	
				DATE	'22-12-08	LR-901TTP-DA1-EN	