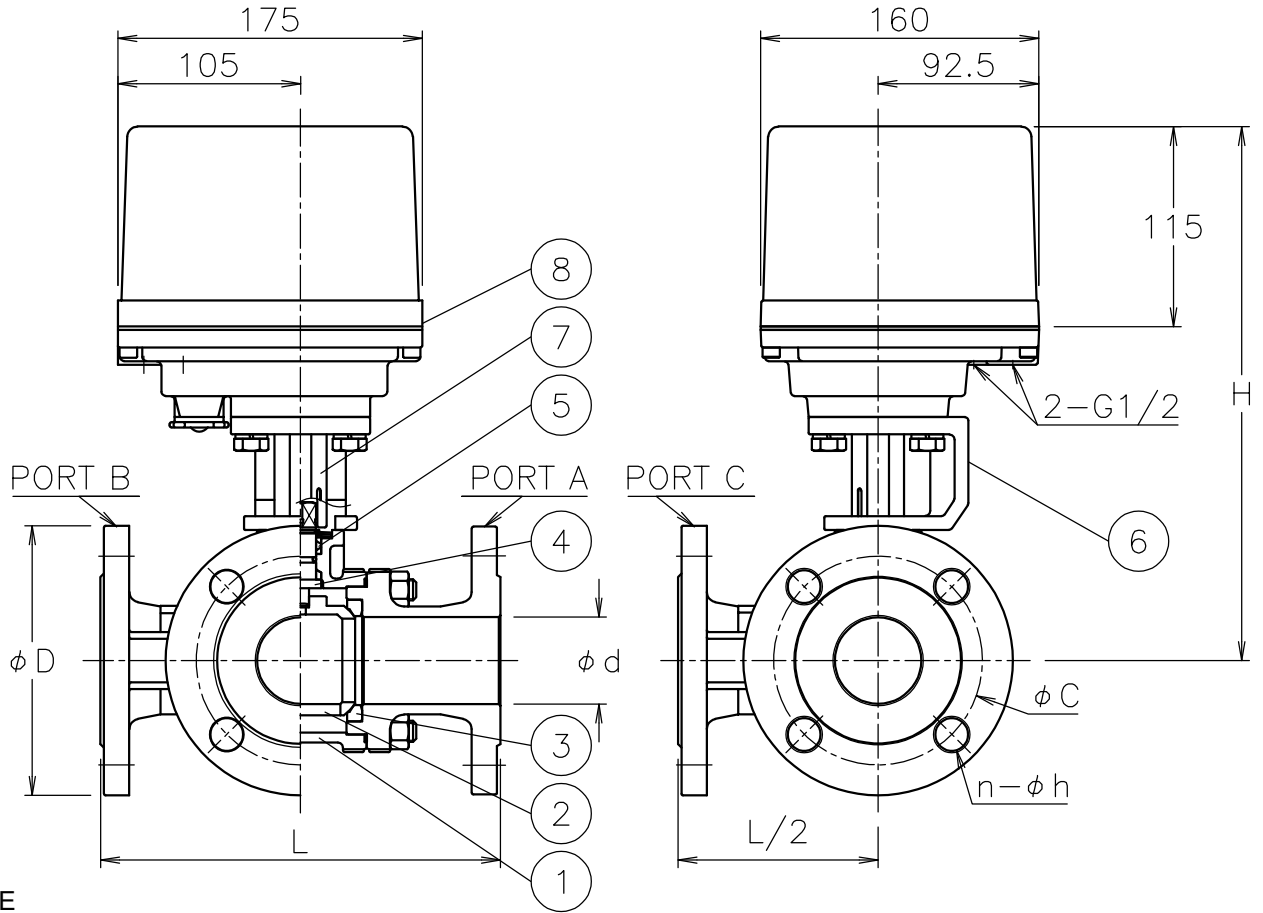


Size [mm]	d	L	D	C	n-h	H	Weight [kg]	Cv value		Actuator			Sizing code
								Effective	P1/P2				
20	20	150	100	75	4-15	277	9.9	10	24	PHX-300	PDX-300	PHR-300	0
25	25	170	125	90	4-19	284	12	20	40	PHX-300	PDX-300	PHR-300	0
40	40	200	140	105	4-19	299	15	60	100	PHX-300	PDX-300	PHR-300	0
							16			PHX-700	PDX-700	PHR-700	2
50	50	230	155	120	4-19	307	18	110	170	PHX-700	PDX-700	PHR-700	0
65	65	260	175	140	4-19	330	25	150	240	PHX-700	PDX-700	PHR-700	0
							26			352	PHX-02K	PDX-02K	PHR-02K
80	80	280	185	150	8-19	342	27	240	380	PHX-700	PDX-700	PHR-700	0
							29			364	PHX-02K	PDX-02K	PHR-02K
100	100	340	210	175	8-19	390	41	440	680	PHX-02K	PDX-02K	PHR-02K	0

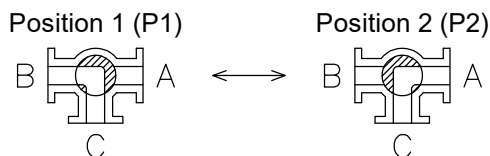


NOTE


ATTACHMENT

Cable gland (nylon), G1/2, for 6φ to 12φ cable.
Plug.

Flow paths (Top view of valve)



8	Actuator		1	
7	Joint	SCS13A	1	
6	Bracket	SCS13A	1	
5	Packing	R-PTFE	1set	
4	Stem	SUS304	1	
3	Seat	R-PTFE	2	
2	Ball	SUS304/SCS13A	1	
1	Body	SCS13A	1	
No	DESCRIPTION	MATERIALS	REQ'D	REMARKS

			APPR'D	H.F	TITLE	J10K Flanged-end LR type electric actuated 3 way control valve			
			CHK'D	K.Y					
			DESIGN		MODEL	PHXLR**1TTP PHRLR**1TTP PDXLR**1TTP			
			DRAWN	S.O					
MARK	DATE	BY	DATE	'21-02-19	SCALE	NON	DWG No.	LR-*1TTP-PX4-EN	
REVISIONS			 NIPPON VALVE CONTROLS, INC.						
MV-2886									