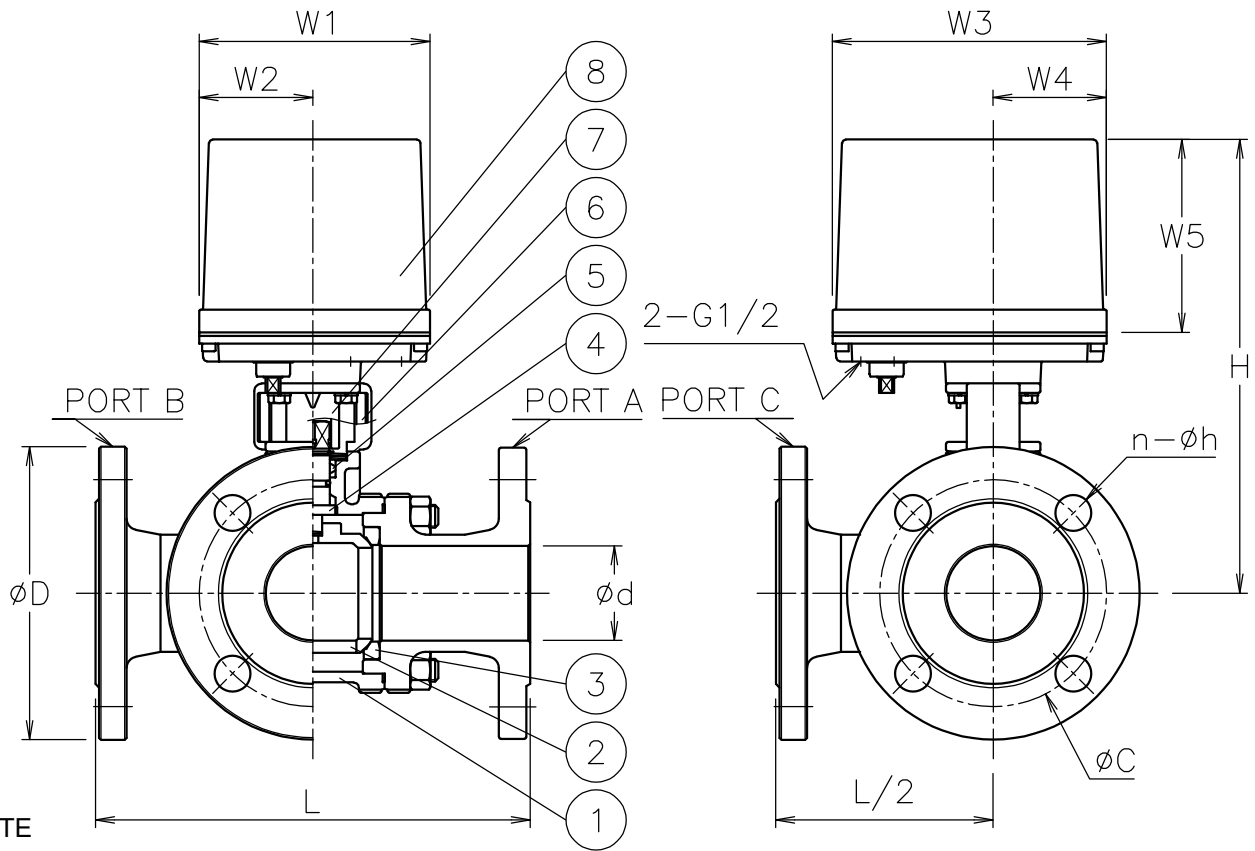


Size [mm]	d	L	D	C	n-h	W1	W2	W3	W4	W5	H	Weight [kg]	Cv		Actuator	Sizing code
													(a)	P1/P2		
20	20	150	100	75	4-15	122	60	145	60	102	210	5.8	10	24	AEX-120	0
25	25	170	125	90	4-19	122	60	145	60	102	217	7.8	20	40	AEX-120	0
												8.4				
40	40	200	140	105	4-19	122	60	145	60	102	232	12	60	100	AEX-360	0
						122	60	145	60	102	248	12				
50	50	230	155	120	4-19	122	60	145	60	102	240	14	110	170	AEX-360	0
						122	60	145	60	102	256	14				
65	65	260	175	140	4-19	122	60	145	60	102	287	21	150	240	AEX-700	0
						160	97	175	63	115	345	26				
80	80	280	185	150	8-19	122	60	145	60	102	299	23	240	380	AEX-700	0
						160	97	175	63	115	357	29				
100	100	340	210	175	8-19	160	97	175	63	115	383	42	440	680	AEX-02K	0



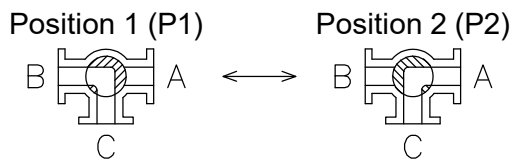
**NOTE**

(a) Effective Cv value

**ATTACHMENT**

Cable gland (nylon), G 1/2, for 6φ to 12φ cable. Plug.

**Flow paths (Top view of valve)**



8	Actuator		1	
7	Joint	SUS304/SCS13A	1	
6	Bracket	SCS13A	1	
5	Packing	R-PTFE	1set	
4	Stem	SUS304	1	
3	Seat	R-PTFE	2	
2	Ball	SUS304/SCS13A	1	
1	Body	SCS13A	1	
No	DESCRIPTION	MATERIALS	REQ'D	REMARKS

			APPR'D	H.F	TITLE	J10K Flanged-end LR type electric actuated 3 way control valve			
			CHK'D	K.Y					
			DESIGN		MODEL	AEXLR**1TTP			
			DRAWN	S.O					
MARK	DATE	BY	DATE	'23-04-21	SCALE	NON	DWG No.	LR-*1TTP-EX4-EN	
REVISIONS									
MV-3010									