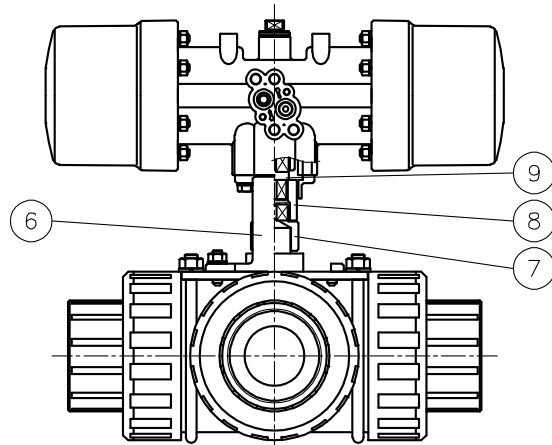
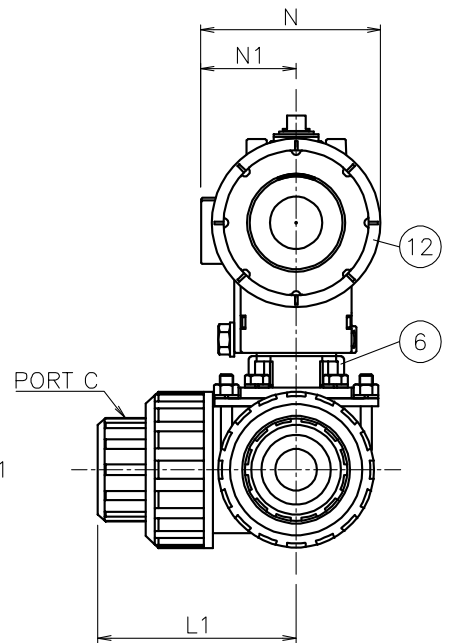
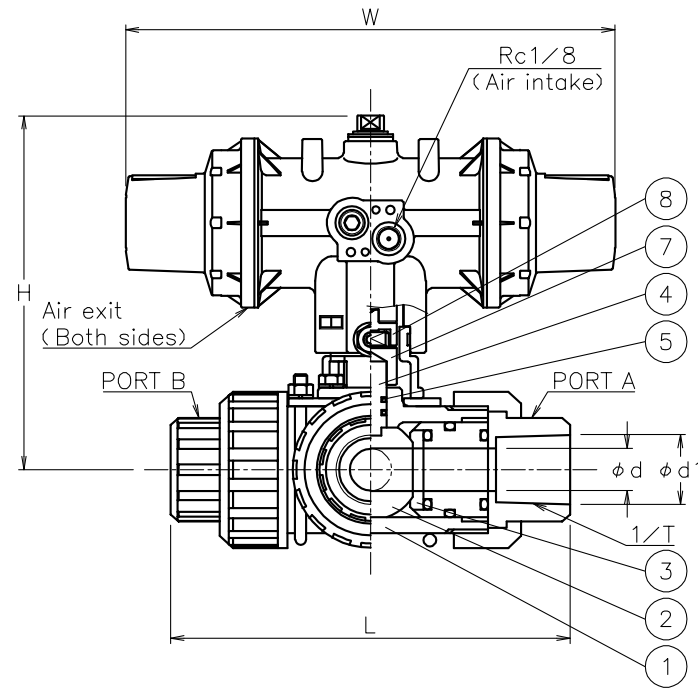


PS*LP907PPV-025

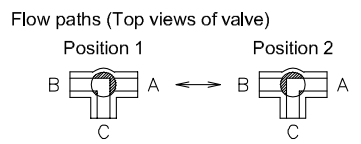


PS*LP907PPV-040
PS*LP907PPV-050

Size (mm)	d	d1	L	L1	1/T	ℓ	W	N	N1	H	Weight (kg)	Cv	Actuator		Sizing code
15 A	11	22.3	129	64	1/34	24	185	68	36	130	1.2	5	PSO-04D	PSC-04D	0
20 A	16	26.3	151	75	1/34	28	185	68	36	134	1.3	10	PSO-04D	PSC-04D	0
25 A	20	32.4	175	87	1/34	32	247	82	44	190	2.4	16	PSO-05D	PSC-05D	0
40 A	32	48.5	232	116	1/37	41	288	95	48	204	4.2	38	PSO-05W	PSC-05W	0
50 A	38	60.6	260	130	1/37	47	288	95	48	212	5.2	56	PSO-05W	PSC-05W	0



NOTE
 1. Air supply : 0.4~0.5 Mpa max 0.7 Mpa
 2. Actuator operation
 PSO serie ▪ Air to intake port : Position 2
 ▪ Spring return : Position 1
 PSC serie ▪ Air to intake port : Position 1
 ▪ Spring return : Position 2
 3. Coupling OD must be less than ϕ14.5



No	DESCRIPTION	MATERIALS	REQ'D	REMARKS
12	Actuator	PPS body	1	PSO/C
11	Bracket	ZDC2	1	
10	Joint	ZDC2	1	
9	Joint	SUS304	1	
8	Joint	SUS304	1	
7	Joint	C3604BD	1	
6	Bracket	SCS13A	1	
5	O-ring	FKM	2	
4	Stem	PVC	1	
3	Seat	PTFE	4	
2	Ball	PVC	1	
1	Body	PVC	1	

MARK	DATE	BY	DATE	SCALE	NON	DWG No.	LP-907PPV-DA1-EN
REVISIONS							
MV-2987							