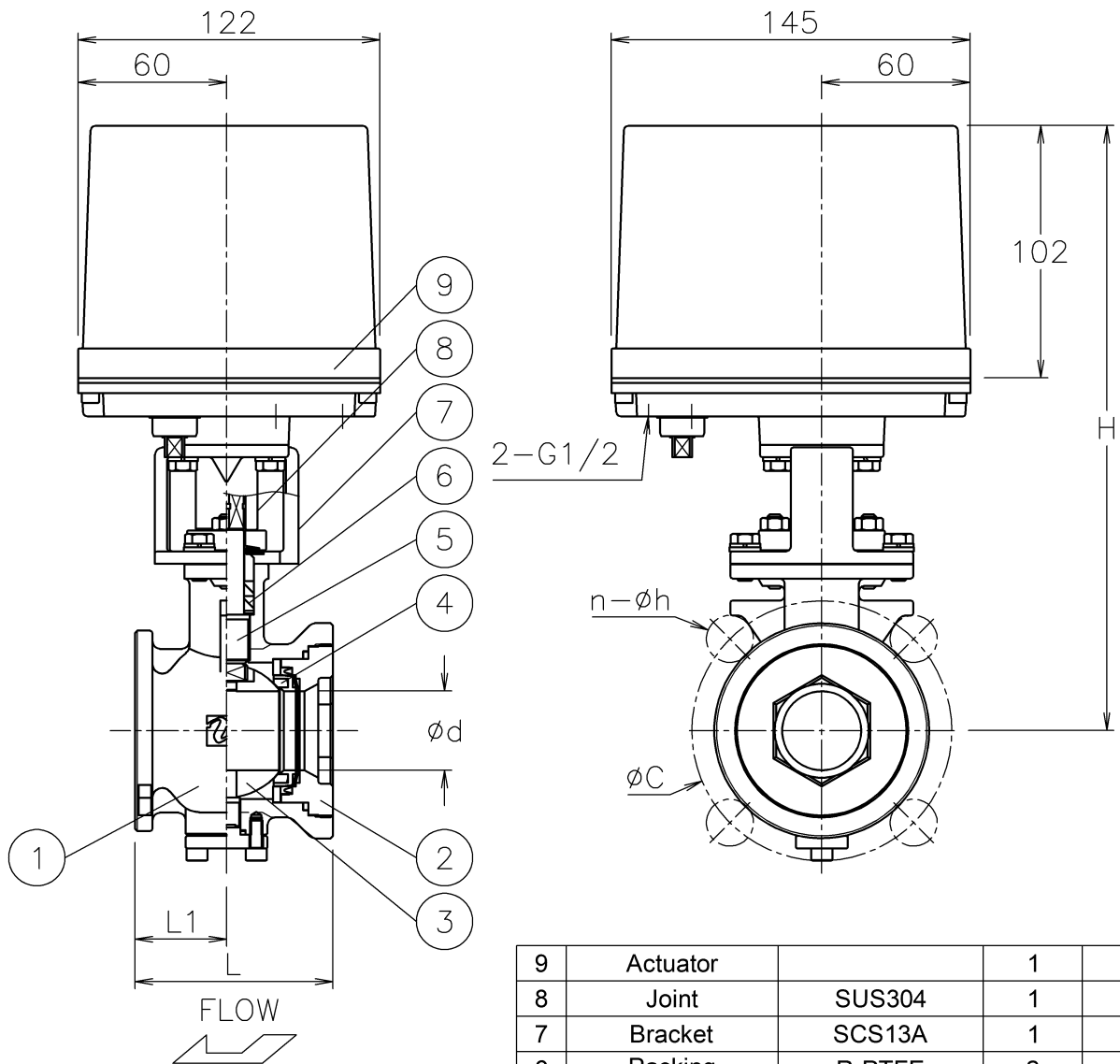


Size [mm]	d	L	L1	J10K		J20K		H	Weight [kg]	Cv	Actuator	Sizing code
				C	n-h	C	n-h					
40	32	80	37	105	4-19	105	4-19	245	4.7	95	PEX-300	0
											PEX-700	2
50	38	95	45	120	4-19	120	8-19	276	6.3	135	PEX-300	0
											PEX-700	2
65	50	110	50	140	4-19	140	8-19	300	8.4	195	PEX-700	0



NOTE

Actuator material: Aluminum alloy diecast cover.

ATTACHMENT

Cable gland (nylon), G 1/2, for 6φ to 12φ cable.
Plug.

9	Actuator		1	
8	Joint	SUS304	1	
7	Bracket	SCS13A	1	
6	Packing	R-PTFE	2	
5	Stem	SUS316	1	
4	Seat	PEEK	1	
3	Ball	SCS14A	1	HCr PLTD
2	Cap	SCS14A	1	
1	Body	SCS14A	1	
No	DESCRIPTION	MATERIALS	REQ'D	REMARKS

			APPR'D	H.F	TITLE	J10K / 20K Flanged-end (Wafer type) GS type electric actuated control valve						
			CHK'D	K.Y		MODEL	PEXGS**3UUKR					
			DESIGN		SCALE		NON	DWG No.	GS-*3UUK-R-PE3-EN			
MARK	DATE	BY	DATE	'18-09-14								
REVISIONS												
MV-2727												



NIPPON VALVE CONTROLS, INC.