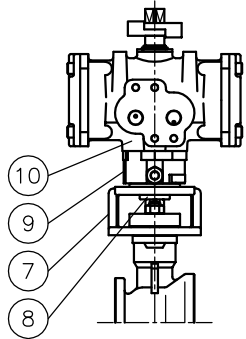
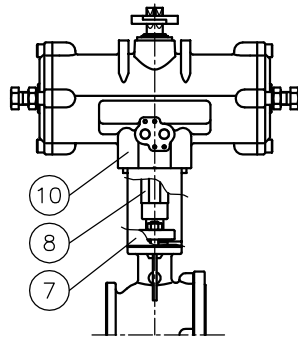


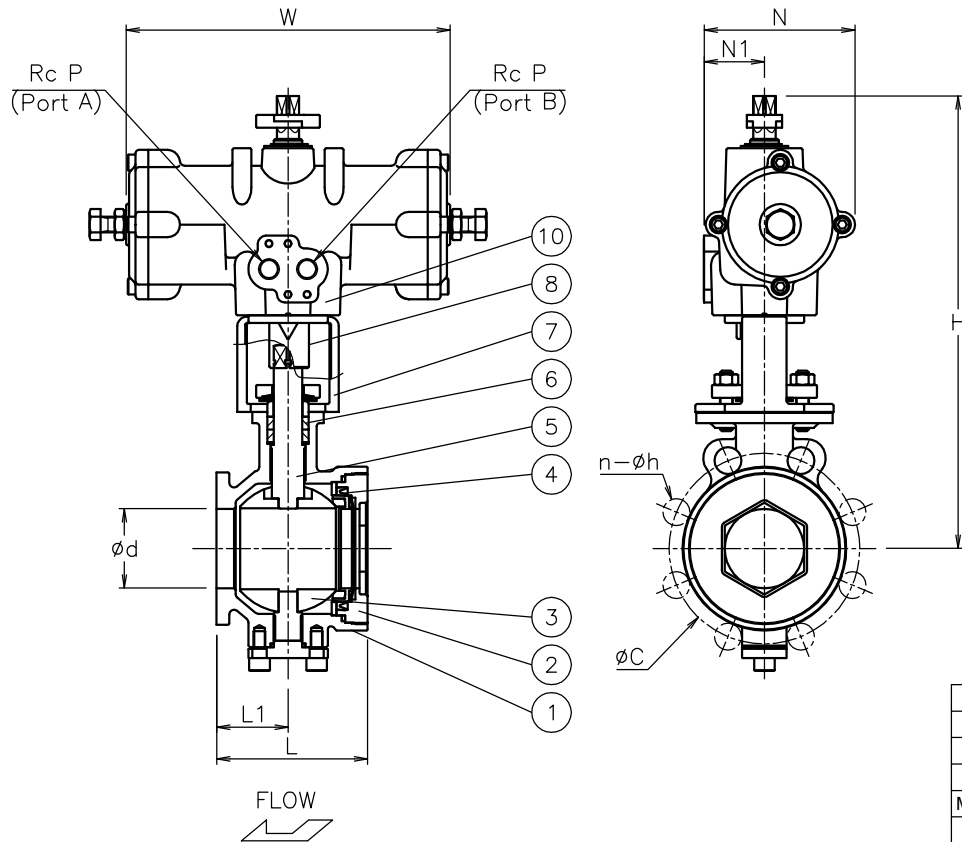
ACTUATOR is TAD-040



TADGS923UUUG-040
TADGS923UUUG-050
TADGS923UUUG-065
TADGS923UUUG-080



Valve DN	d	L	L1	J10K		J20K		P	W	N	N1	H	Weight (kg)	Cv	Actuator	Sizing code
				C	n-h	C	n-h									
15 A	15	40	20	70	4-15	70	4-15	1/8	110	57	32	196	1.9	20	TAD-040	0
								1/4	170	82	36	224	2.3			
20 A	20	50	25	75	4-15	75	4-15	1/8	110	57	32	198	2.1	36	TAD-040	0
								1/4	170	82	36	226	2.5			
25 A	25	60	30	90	4-19	90	4-19	1/4	170	82	36	235	3	50	TAD-050	0
								1/4	204	95	38	250	3.9			
								1/4	204	95	38	254	4.3			
32 A	32	70	35	100	4-19	100	4-19	1/4	170	82	36	239	3.5	90	TAD-050	0
								1/4	204	95	38	254	4.3			
40 A	40	80	40	105	4-19	105	4-19	1/4	204	95	38	277	5.3	120	TAD-063	0
								1/4	204	95	38	285	6.7			
50 A	50	95	45	120	4-19	120	8-19	1/4	240	116	45	350	8.5	220	TAD-063	0
								1/4	240	116	45	350	8.5			
65 A	64	110	52	140	4-19	140	8-19	1/4	240	116	45	352	12	380	TAD-080	0
								1/4	240	116	45	359	14			
80 A	74	125	61	150	8-19	160	8-23	1/4	294	143	57	412	17	750	TAD-080	0
								1/4	294	143	57	412	17			



NOTE

- Air supply: 0.4~0.5 MPa max 0.7 MPa
- Actuator operation
 - Air to port A: SHUT
 - Air to port B: OPEN

No	DESCRIPTION	MATERIALS	REQ'D	REMARKS
10	Actuator		1	TAD
9	Bracket	BERIC	1	
8	Joint	SUS304/SCS13A	1	
7	Bracket	SUS304/SCS13A	1	
6	Packing	R-PTFE	2	
5	Stem	SUS316	1	
4	Seat	R-PTFE	1	
3	Ball	SCS14A	1	HCr PLTD
2	Cap	SCS14A	1	
1	Body	SCS14A	1	

MARK	DATE	BY	DATE	APPR'D	H.F	TITLE	J10K/20K Flanged-end, Wafer (double-acting type) GS type pneumatic actuated ball valve		
				CHK'D	K.Y	MODEL	TADGS9*3UUUG		
				DESIGN			SCALE	NON	DWG No.
				DRAWN	K.I				
				DATE	'10-06-29				
REVISIONS									
MV-2241									