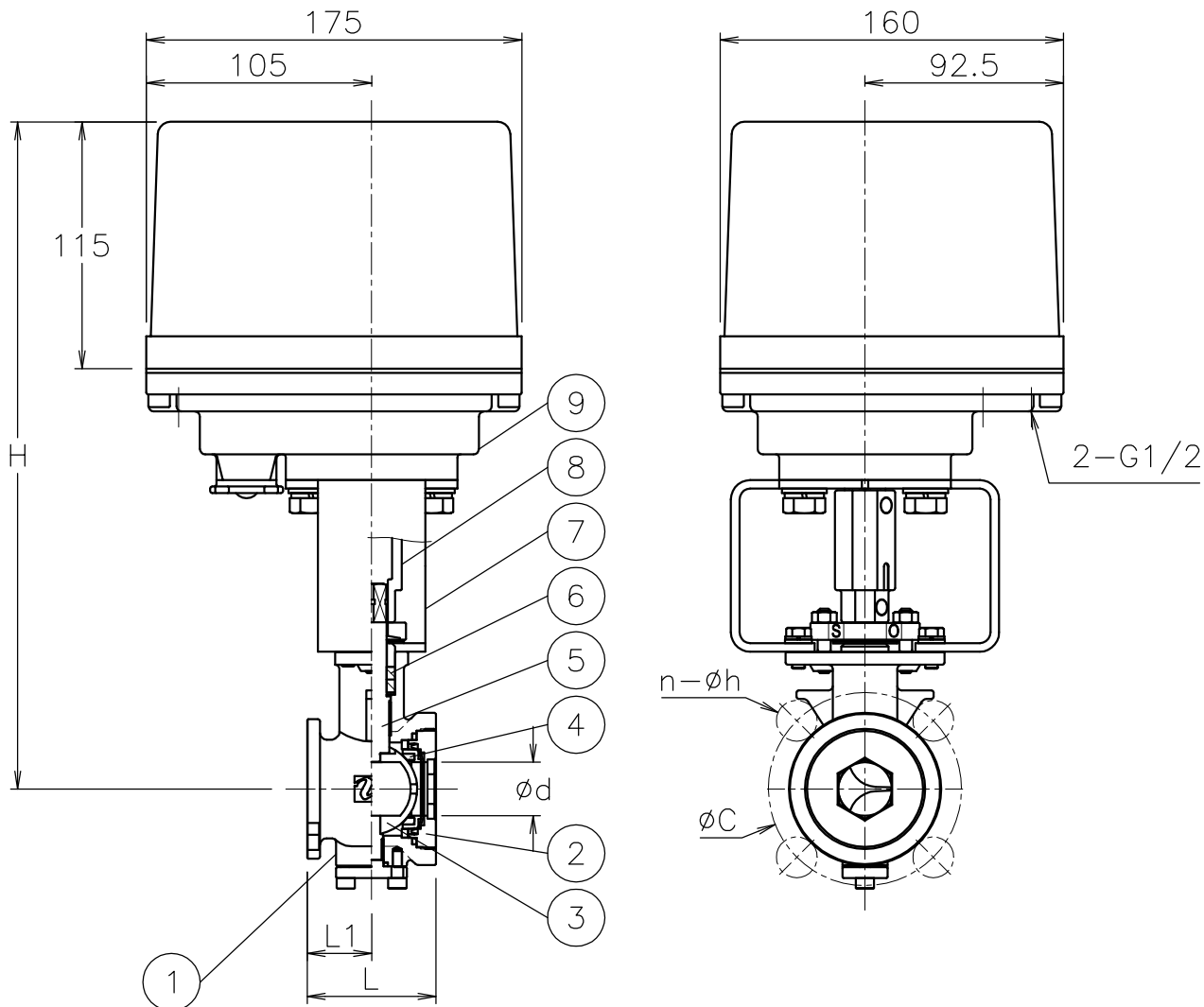


Size [mm]	d	L	L1	J10K		J20K		H	Weight [kg]	Cv	Actuator			Sizing code
				C	n-h	C	n-h				PHX-300	PHR-300	PDX-300	
V15	(15)	40	20	70	4-15	70	4-15	300	6.8	4	PHX-300	PHR-300	PDX-300	0
V20	(20)	50	25	75	4-15	75	4-15	302	7.1	8	PHX-300	PHR-300	PDX-300	0
V25	(25)	60	30	90	4-19	90	4-19	311	7.6	9	PHX-300	PHR-300	PDX-300	0
V32	(32)	70	35	100	4-19	100	4-19	315	8	22	PHX-300	PHR-300	PDX-300	0



NOTE
ATTACHMENT
Cable gland (nylon), G 1/2, for 6φ to 12φ cable.
Plug.

9	Actuator	Aluminum alloy diecast cover	1	
8	Joint	SCS13A	1	
7	Bracket	SUS304	1	
6	Packing	R-PTFE	2	
5	Stem	SUS316	1	
4	Seat	R-PTFE	1	
3	Ball	SCS14A	1	HCr PLTD
2	Cap	SCS14A	1	
1	Body	SCS14A	1	
No	DESCRIPTION	MATERIALS	REQ'D	REMARKS

			APPR'D	H.F	TITLE	J10K/20K Flanged-end (Wafer type) GS type electric actuated control valve				
			CHK'D	K.Y		MODEL	PHXGS*03UUGV PDXGS*03UUGV PHRGS*03UUGV			
			DESIGN		SCALE		NON	DWG No.	GS-03UUG-V-PX4-EN	
MARK	DATE	BY	DATE	'17-03-06						
REVISIONS										
MV-2592										