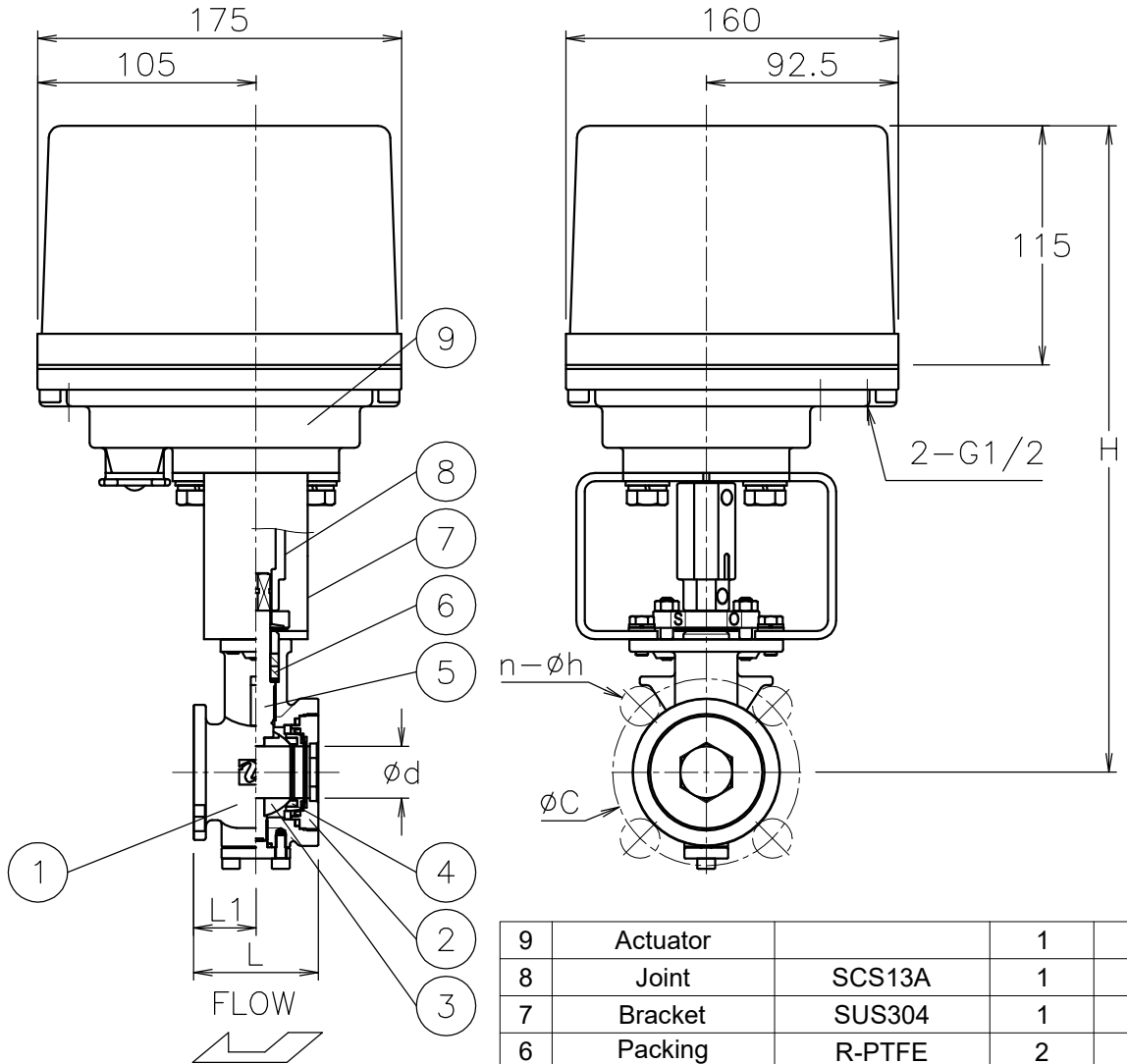


Size [mm]	d	L	L1	J10K		J20K		H	Weight [kg]	Cv	Actuator			Sizing code
				C	n-h	C	n-h				PHX-300	PHR-300	PDX-300	
15	15	40	20	70	4-15	70	4-15	300	6.8	20	PHX-300	PHR-300	PDX-300	0
20	20	50	25	75	4-15	75	4-15	302	7	36	PHX-300	PHR-300	PDX-300	0
25	25	60	30	90	4-19	90	4-19	311	7.5	50	PHX-300	PHR-300	PDX-300	0
32	32	70	35	100	4-19	100	4-19	315	8	90	PHX-300	PHR-300	PDX-300	0
40	40	80	40	105	4-19	105	4-19	338	9.1	120	PHX-300	PHR-300	PDX-300	0
									9.3		PHX-700	PHR-700	PDX-700	2
50	50	95	45	120	4-19	120	8-19	346	11	220	PHX-700	PHR-700	PDX-700	0
65	64	110	52	140	4-19	140	8-19	370	15	380	PHX-700	PHR-700	PDX-700	0
80	74	125	61	150	8-19	160	8-23	377	17	750	PHX-700	PHR-700	PDX-700	0
								399			18	PHX-02K	PHR-02K	PDX-02K




NOTE

Actuator material: Aluminum alloy diecast cover.

ATTACHMENT

Cable gland (nylon), G 1/2, for 6φ to 12φ cable.
Plug.

9	Actuator		1	
8	Joint	SCS13A	1	
7	Bracket	SUS304	1	
6	Packing	R-PTFE	2	
5	Stem	SUS316	1	
4	Seat	R-PTFE	1	
3	Ball	SCS14A	1	HCr PLTD
2	Cap	SCS14A	1	
1	Body	SCS14A	1	
No	DESCRIPTION	MATERIALS	REQ'D	REMARKS

			APPR'D	H.F	TITLE	J10K/20K Flanged-end (Wafer type) GS type electric actuated control valve					
			CHK'D	K.Y							
			DESIGN		MODEL	PHXGS**3UUG PHRGS**3UUG PDXGS**3UUG					
			DRAWN	S.O							
MARK	DATE	BY	DATE	'17-03-07	SCALE	NON	DWG No.	GS-*3UUG-PX10-EN			
REVISIONS				 NIPPON VALVE CONTROLS, INC.							
MV-2592											