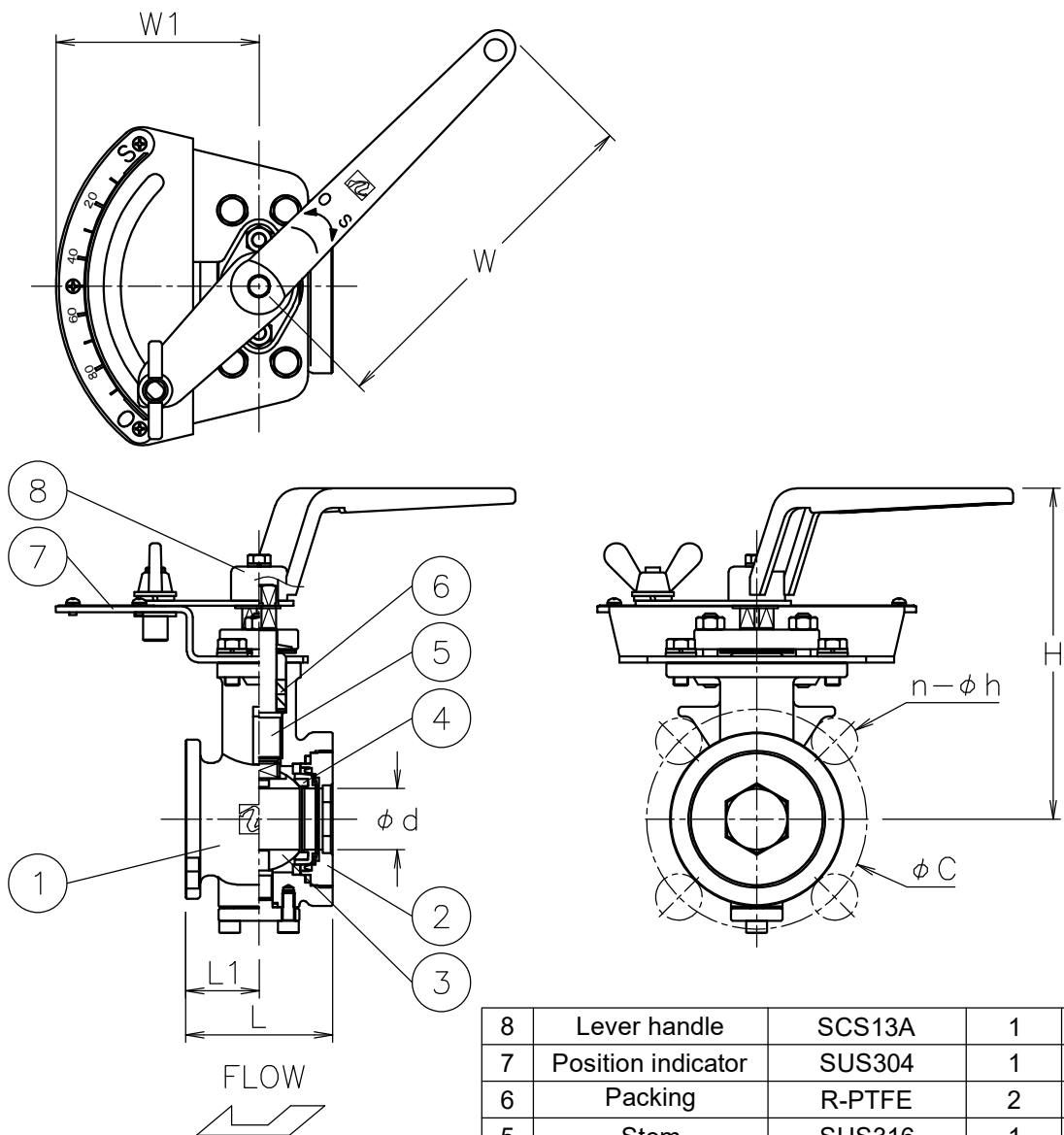


| Size [mm] | d | L | L1 | J10K | | J20K | | W | W1 | H | Weight [kg] | Cv | Actuator |
|-----------|----|-----|----|------|------|------|------|-----|-----|-----|-------------|-----|----------|
| | | | | C | n-h | C | n-h | | | | | | |
| 15 | 15 | 40 | 20 | 70 | 4-15 | 70 | 4-15 | 115 | 83 | 115 | 1 | 20 | Lever |
| 20 | 20 | 50 | 25 | 75 | 4-15 | 75 | 4-15 | 115 | 83 | 117 | 1.2 | 36 | Lever |
| 25 | 25 | 60 | 30 | 90 | 4-19 | 90 | 4-19 | 145 | 83 | 136 | 1.8 | 50 | Lever |
| 32 | 32 | 70 | 35 | 100 | 4-19 | 100 | 4-19 | 145 | 83 | 139 | 2.3 | 90 | Lever |
| 40 | 40 | 80 | 40 | 105 | 4-19 | 105 | 4-19 | 220 | 83 | 160 | 3.4 | 120 | Lever |
| 50 | 50 | 95 | 45 | 120 | 4-19 | 120 | 8-19 | 220 | 83 | 168 | 4.8 | 220 | Lever |
| 65 | 64 | 110 | 52 | 140 | 4-19 | 140 | 8-19 | 320 | 136 | 198 | 9 | 380 | Lever |
| 80 | 74 | 125 | 61 | 150 | 8-19 | 160 | 8-23 | 320 | 136 | 205 | 11 | 750 | Lever |



NOTE

(a) Lever handle is removed and shipped.

| 8 | Lever handle | SCS13A | 1 | (a) |
|----|--------------------|-----------|-------|----------|
| 7 | Position indicator | SUS304 | 1 | |
| 6 | Packing | R-PTFE | 2 | |
| 5 | Stem | SUS316 | 1 | |
| 4 | Seat | R-PTFE | 1 | |
| 3 | Ball | SCS14A | 1 | HCr PLTD |
| 2 | Cap | SCS14A | 1 | |
| 1 | Body | SCS14A | 1 | |
| No | DESCRIPTION | MATERIALS | REQ'D | REMARKS |

| | | | | | | | | | | | | | | |
|-----------|------|----|------------------------------------|-----------|-------|---|---------|------------------|--|-------|-------------|--|--|--|
| | | | APPR'D | H.F | TITLE | J10K / 20K Flanged-end (Wafer type) GS type ball valve | | | | | | | | |
| | | | CHK'D | K.Y | | | | | | | | | | |
| | | | DESIGN | | | | | | | MODEL | MA-GSL-3UUG | | | |
| | | | DRAWN | S.O | | | | | | | | | | |
| MARK | DATE | BY | DATE | '16-11-04 | SCALE | NON | DWG No. | GS-3UUG-L-MA9-EN | | | | | | |
| REVISIONS | | | NIPPON VALVE CONTROLS, INC. | | | | | | | | | | | |
| MV-2563 | | | | | | | | | | | | | | |