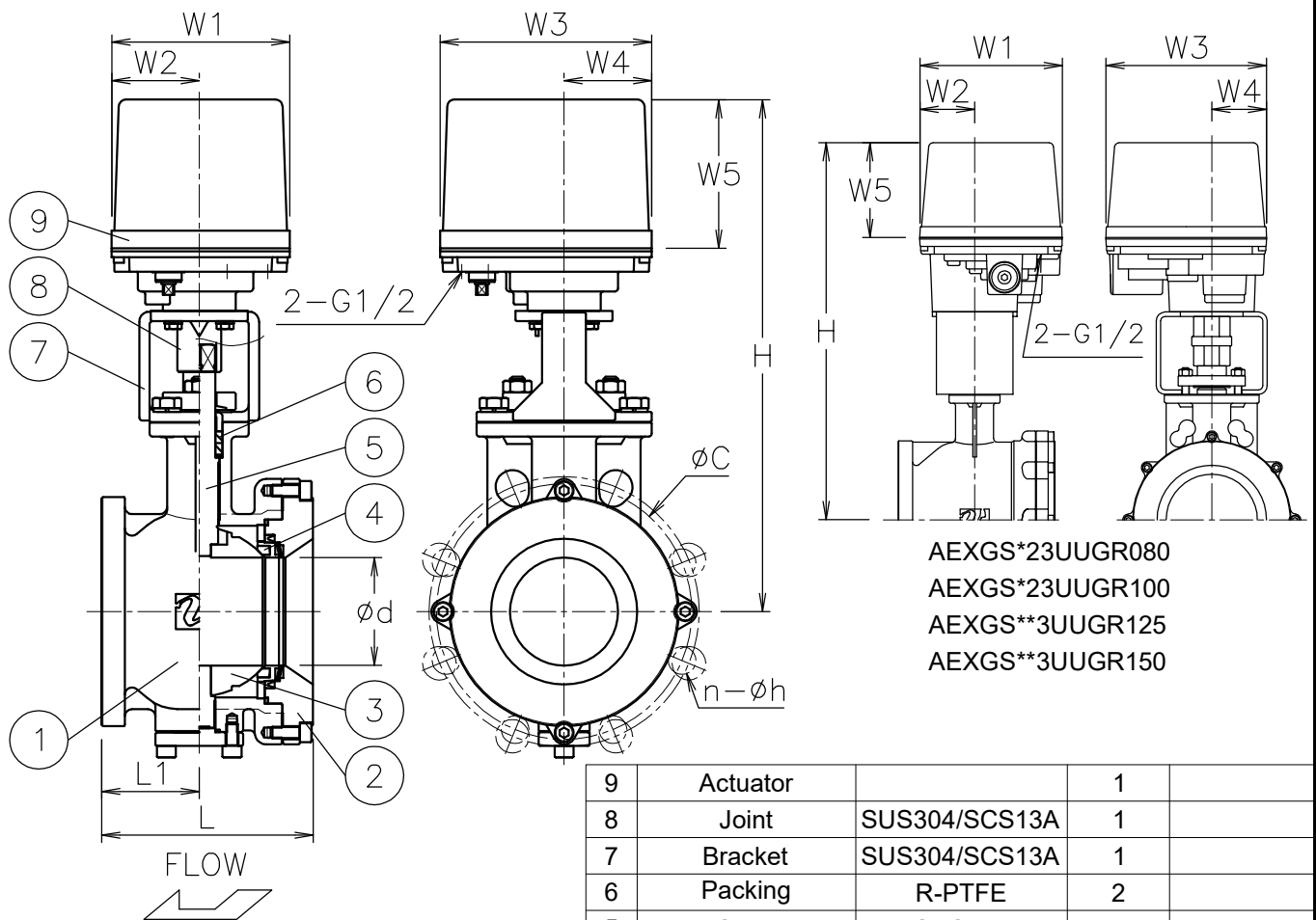


Size [mm]	d	L	L1	J10K		J20K		W1	W2	W3	W4	W5	H	Weight [kg]	Cv	Actuator	Sizing code
				C	n-h	C	n-h										
40	32	80	37	105	4-19	105	4-19	122	60	145	60	102	245	4.6	95	AEX-120	0
								122	60	145	60	102		5		AEX-360	2
50	38	95	45	120	4-19	120	8-19	122	60	145	60	102	276	6.6	135	AEX-360	0
								122	60	145	60	102		292		6.8	AEX-700
65	50	110	50	140	4-19	140	8-19	122	60	145	60	102	284	8.3	195	AEX-360	0
								122	60	145	60	102		300		8.5	AEX-700
80	64	125	57	150	8-19	160	8-23	122	60	145	60	102	326	12	410	AEX-700	0
								160	97	175	63	115		397		18	AEX-02K
100	74	145	67	175	8-19	185	8-23	122	60	145	60	102	351	17	430	AEX-700	0
								160	97	175	63	115		422		22	AEX-02K
125	100	176	81	210	8-23	225	8-25	160	97	175	63	115	451	32	900	AEX-02K	0
								195	75	220	75	130		499		38	AEX-06K
150	125	215	105	240	8-23	260	12-25	160	97	175	63	115	469	44	1360	AEX-02K	1
								195	75	220	75	130		517		50	AEX-06K



NOTE

Actuator material: Aluminum alloy diecast cover.

ATTACHMENT

Cable gland (nylon), G 1/2, for 6φ to 12φ cable.
Plug.

9	Actuator		1	
8	Joint	SUS304/SCS13A	1	
7	Bracket	SUS304/SCS13A	1	
6	Packing	R-PTFE	2	
5	Stem	SUS316	1	
4	Seat	R-PTFE	1	
3	Ball	SCS14A	1	HCr PLTD
2	Cap	SCS14A	1	
1	Body	SCS14A	1	
No	DESCRIPTION	MATERIALS	REQ'D	REMARKS

			APPR'D	H.F	TITLE	J10K/20K Flanged-end (Wafer type) GS type electric actuated control valve			
			CHK'D	K.Y					
			DESIGN		MODEL	AEXGS**3UUGR			
			DRAWN	S.O					
MARK	DATE	BY	DATE	'17-03-01	SCALE	NON	DWG No.	GS-*3UUG-R-EX3-EN	
REVISIONS									
MV-2590									



NIPPON VALVE CONTROLS, INC.