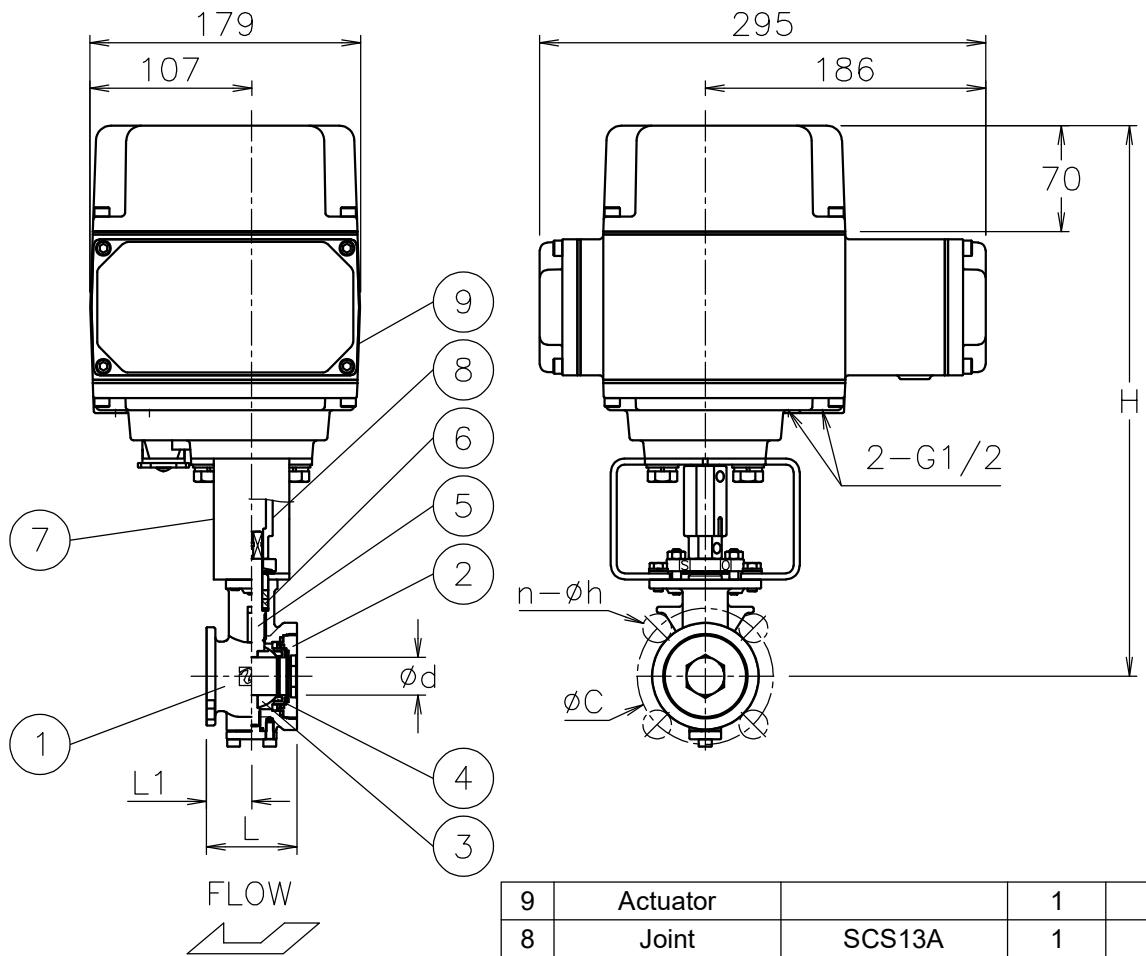


Size [mm]	d	L	L1	J10K		J20K		H	Weight [kg]	Cv	Actuator		Sizing code
				C	n-h	C	n-h				ABR-300	HBR-300	
15	15	40	20	70	4-15	70	4-15	353	11	20	ABR-300	HBR-300	0
20	20	50	25	75	4-15	75	4-15	355	11	36	ABR-300	HBR-300	0
25	25	60	30	90	4-19	90	4-19	364	12	50	ABR-300	HBR-300	0
32	32	70	35	100	4-19	100	4-19	368	12	90	ABR-300	HBR-300	0
40	40	80	40	105	4-19	105	4-19	391	13	120	ABR-300	HBR-300	0
50	50	95	45	120	4-19	120	8-19	399	15	220	ABR-300	HBR-300	1
									15		ABR-700	HBR-700	0
65	64	110	52	140	4-19	140	8-19	423	18	380	ABR-700	HBR-700	0
80	74	125	61	150	8-19	160	8-23	430	20	750	ABR-700	HBR-700	0
								452			-	HBR-02K	2



NOTE
ATTACHMENT
Cable gland (nylon), G 1/2, for 6φ to 12φ cable.
Plug.

9	Actuator		1	
8	Joint	SCS13A	1	
7	Bracket	SUS304	1	
6	Packing	R-PTFE	2	
5	Stem	SUS316	1	
4	Seat	R-PTFE	1	
3	Ball	SCS14A	1	HCr PLTD
2	Cap	SCS14A	1	
1	Body	SCS14A	1	
No	DESCRIPTION	MATERIALS	REQ'D	REMARKS

			APPR'D	H.F	TITLE	J10K/20K Flanged-end (Wafer type) GS type electric actuated emergency shut-off ball valve			
			CHK'D	K.Y					
			DESIGN		MODEL	ABRGS**3UUG HBRGS**3UUG			
			DRAWN	S.O					
MARK	DATE	BY	DATE	'21-04-12	SCALE	NON	DWG No.	GS-*3UUG-AB8-EN	
	REVISIONS								
	MV-2898								



NIPPON VALVE CONTROLS, INC.