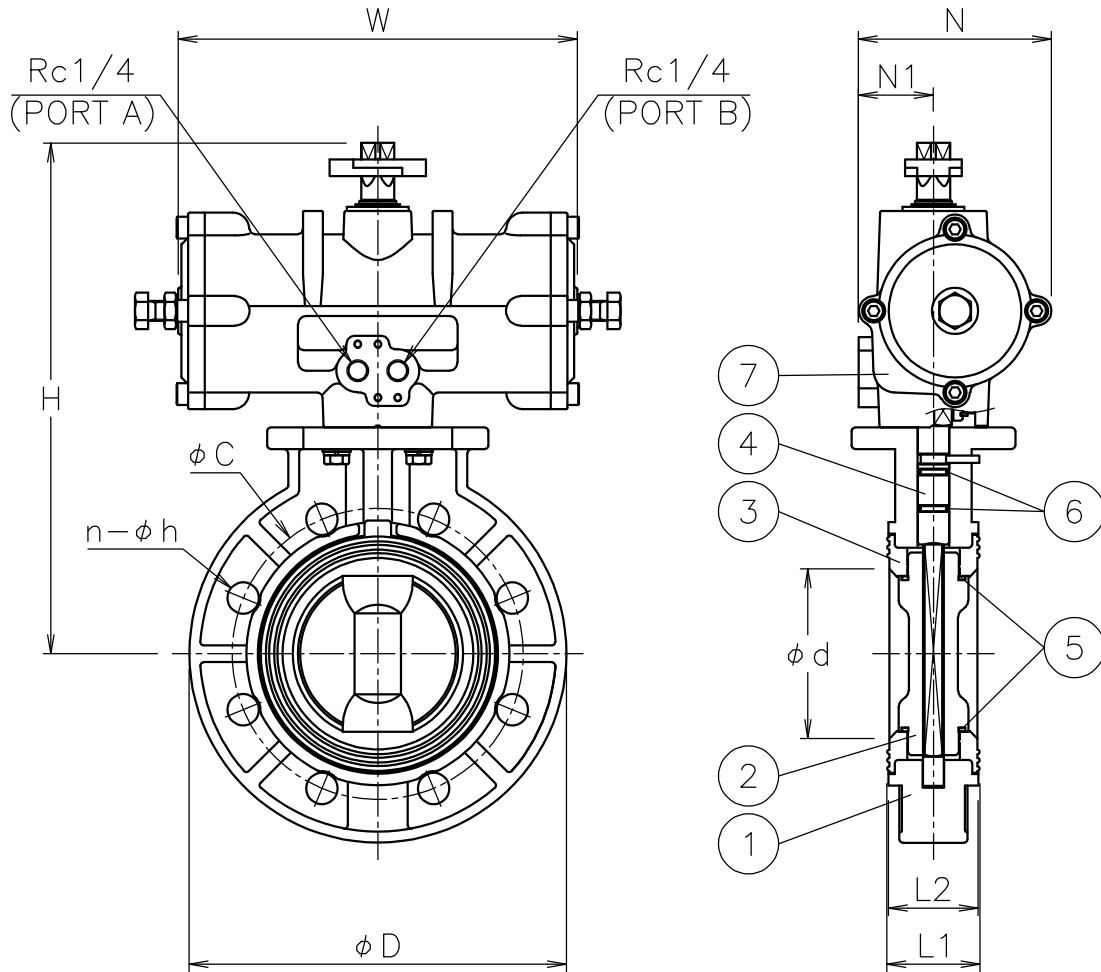



Size [mm]	d	L1	L2	D	C	n-h	W	N	N1	H	Weight [kg]	Cv	Actuator	Sizing code
40	50	38.5	35.5	146	105	4-19	170	82	36	217	1.8	75	TAD-050	0
50	57	42.5	38.5	163	120	4-19	170	82	36	224	2.1	123	TAD-050	0
65	70	46	44	182	140	4-19	204	95	38	250	3.1	267	TAD-063	0
80	80	46	43.5	198	150	8-19	204	95	38	252	3.2	368	TAD-063	0
100	103	56	54	227	175	8-19	240	116	45	307	5.1	487	TAD-080	0
125	129	68	62	252	210	8-23	240	116	45	333	6.3	845	TAD-080	0
150	150	70	65	285	240	8-23	294	143	57	380	10	1120	TAD-100	0
200	202	85	79	343	290	12-23	366	150	60	432	16	2340	TAD-125	0
250	255	109	104	409	355	12-25	446	181	68	514	29	3580	TAD-160	0
300	310	131.5	127	487	400	16-25	446	181	68	572	34	5100	TAD-160	0



NOTE

- 1) Air supply: 0.4 to 0.5 Mpa. Max 0.7 Mpa.
- 2) Actuator operation
Air to port A: SHUT
Air to port B: OPEN

7	Actuator		1	TAD
6	O-ring	EPDM	2	
5	O-ring	EPDM	2	
4	Stem	SUS410	1	
3	Seat	EPDM	1	
2	Disc	PP	1	
1	Body	PP	1	
No	DESCRIPTION	MATERIALS	REQ'D	REMARKS

			APPR'D	H.F	TITLE	J10K Flanged-end (Wafer type) (double-acting type) FP type pneumatic actuated butterfly valve					
			CHK'D	K.Y							
			DESIGN		MODEL	TADFP901QQE					
			DRAWN	S.O							
MARK	DATE	BY	DATE	'21-03-02	SCALE	NON	DWG No.	FP-901QQE-TA6-EN			
REVISIONS			 NIPPON VALVE CONTROLS, INC.								
MV-2887											