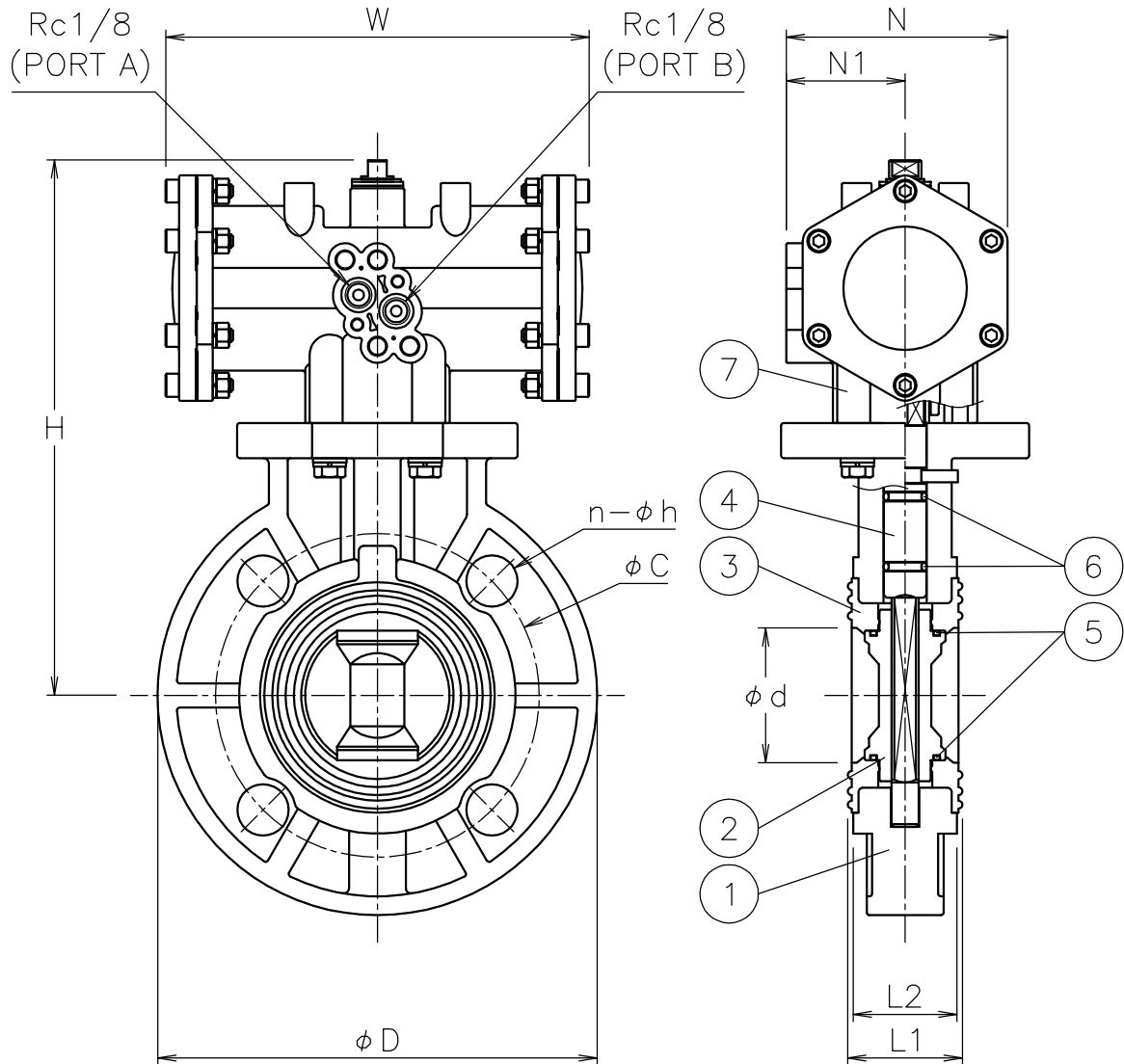



Size [mm]	d	L1	L2	D	C	n-h	W	N	N1	H	Weight [kg]	Cv	Actuator	Sizing code
40	50	38.5	35.5	146	105	4-19	157	82	44	192	1.2	75	PND-05D	0
50	57	42.5	38.5	163	120	4-19	157	82	44	199	1.5	123	PND-05D	0
65	70	46	44	182	140	4-19	157	82	44	209	1.7	267	PND-05D	0
80	80	46	43.5	198	150	8-19	157	82	44	212	1.7	368	PND-05D	0



NOTE

- 1) Air supply: 0.4 to 0.5 Mpa. Max 0.7 Mpa.
 - 2) Actuator operation
Air to port A: SHUT.
Air to port B: OPEN.
- (a) Coupling OD must be less than 14.5 mm.

7	Actuator	PPS body	1	PND (a)
6	O-ring	EPDM	2	
5	O-ring	EPDM	2	
4	Stem	SUS410	1	
3	Seat	EPDM	1	
2	Disk	PP	1	
1	Body	PP	1	
No	DESCRIPTION	MATERIALS	REQ'D	REMARKS

			APPR'D	H.F	TITLE	J10K Flanged-end (Wafer type) (double-acting type) FP type pneumatic actuated butterfly valve				
			CHK'D	K.Y						
			DESIGN		MODEL	PNDFP901QQE				
			DRAWN	S.O						
MARK	DATE	BY	DATE	'18-04-17	SCALE	NON	DWG No.	FP-901QQE-PN3-EN		
REVISIONS			 NIPPON VALVE CONTROLS, INC.							
MV-2704										