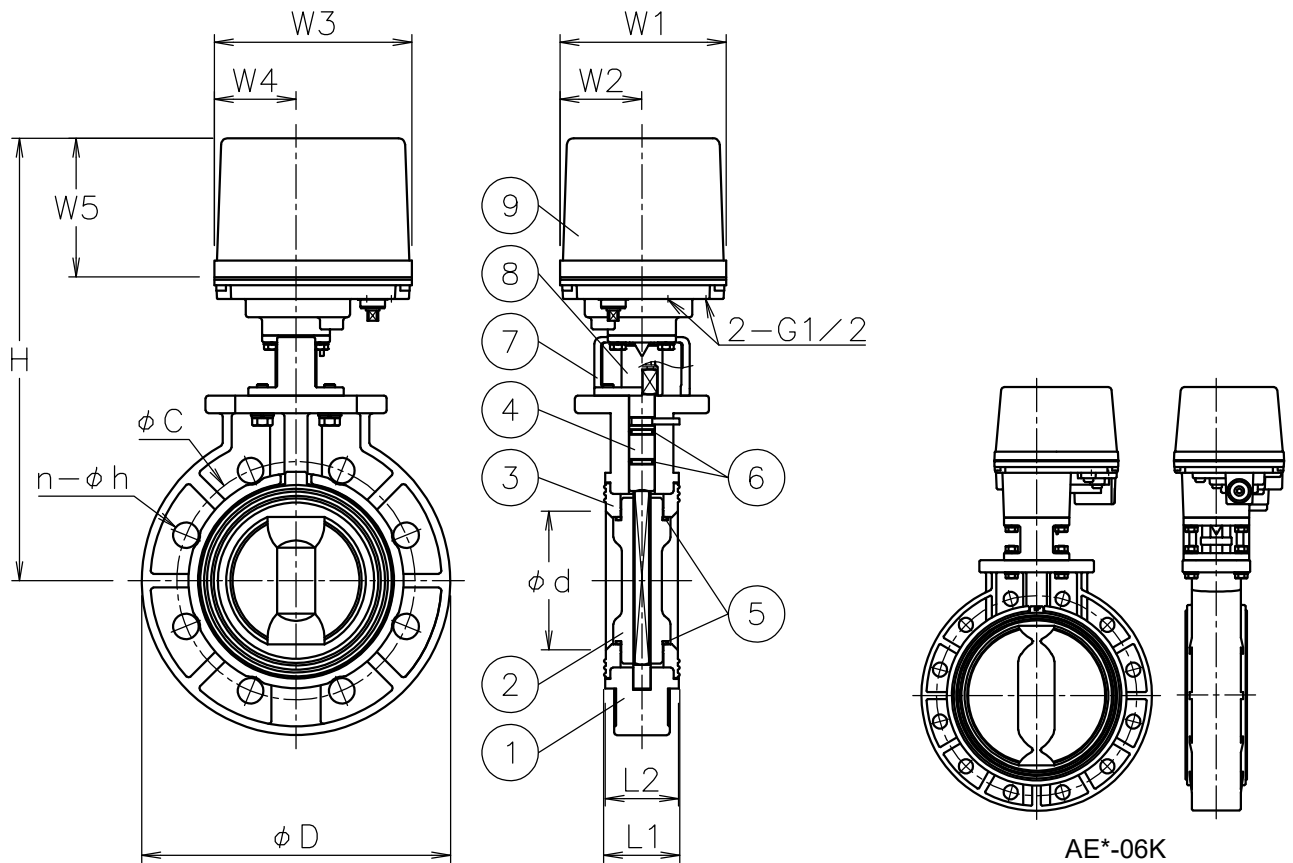


Valve DN	d	L1	L2	D	C	n-h	W1	W2	W3	W4	W5	H	Weight (kg)	Cv	Actuator		Sizing code
40 A	50	38.5	35.5	146	105	4-19	122	60	145	60	102	259	2.9	75	AE1-120	AE2-120	0
													3.5		AE1-300	AE2-300	2
50 A	57	42.5	38.5	163	120	4-19	122	60	145	60	102	266	3.8	123	AE1-300	AE2-300	0
65 A	70	46	44	182	140	4-19	122	60	145	60	102	277	4	267	AE1-300	AE2-300	0
80 A	80	46	43.5	198	150	8-19	122	60	145	60	102	295	4.1	368	AE1-600	AE2-600	0
100 A	103	56	54	227	175	8-19	122	60	145	60	102	325	4.8	487	AE1-600	AE2-600	0
125 A	129	68	62	252	210	8-23	160	97	175	63	115	409	12	845	AE1-02K	AE2-02K	0
150 A	150	70	65	285	240	8-23	160	97	175	63	115	425	14	1120	AE1-02K	AE2-02K	0
200 A	202	85	79	343	290	12-23	160	97	175	63	115	452	16	2340	AE1-02K	AE2-02K	0
							195	75	220	75	130	512	21		AE1-06K	AE2-06K	2
250 A	255	109	104	409	355	12-25	195	75	220	75	130	548	25	3580	AE1-06K	AE2-06K	0
300 A	310	131.5	127	487	400	16-25	195	75	220	75	130	606	30	5100	AE1-06K	AE2-06K	0



NOTE
Attachment
·Cable gland(nylon), G 1/2, for φ6~12 cable
·Plug

9	Actuator	Aluminum alloy die-cast cover	1	
8	Joint	SUS304/SCS13A	1	
7	Bracket	SCS13A	1	
6	O-ring	EPDM	2	
5	O-ring	EPDM	2	
4	Stem	SUS410	1	
3	Seat	EPDM	1	
2	Disc	PP	1	
1	Body	PP	1	
No	DESCRIPTION	MATERIALS	REQ'D	REMARKS

			APPR'D	H.F	ValveDN: 40~300 A TITLE J10K Flanged-end (Wafer type) FP type electric actuated butterfly valve			
			CHK'D	K.Y				
			DESIGN					
			DRAWN	P.O	MODEL	AE1FP**1QQE AE2FP**1QQE		
MARK	DATE	BY	DATE	'16-10-07	SCALE	NON	DWG No.	FP-*1QQE-AE7-EN
REVISIONS			NIPPON VALVE CONTROLS, INC.					
MV-2546								