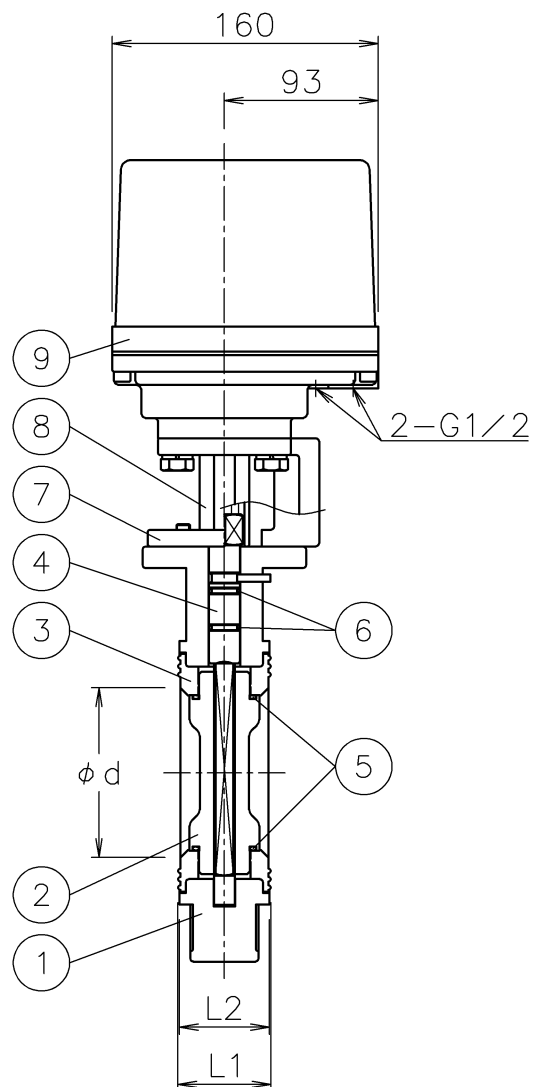
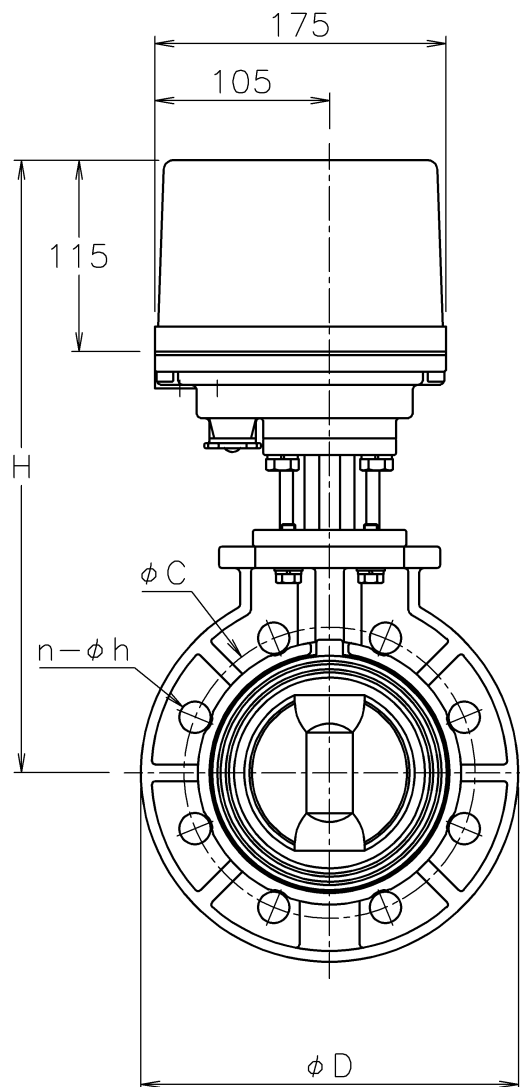


Valve DN	d	L1	L2	D	C	n-h	H	Weight (kg)	Cv	Actuator			Sizing code
40 A	50	38.5	35.5	146	105	4-19	326	6.8	75	AD1-300	AD2-300	AD0-300	0
50 A	57	42.5	38.5	163	120	4-19	333	7.1	123	AD1-300	AD2-300	AD0-300	0
65 A	70	46	44	182	140	4-19	344	7.4	267	AD1-300	AD2-300	AD0-300	0
80 A	80	46	43.5	198	150	8-19	346	7.6	368	AD1-700	AD2-700	AD0-700	0
100 A	103	56	54	227	175	8-19	368	8.6	487	AD1-700	AD2-700	AD0-700	0



NOTE

Attachment

·Cable gland(nylon), G 1/2, for phi 6~12 cable

·Plug

9	Actuator	Aluminum alloy die-cast cover	1	
8	Joint	SCS13A	1	
7	Bracket	SCS13A	1	
6	O-ring	EPDM	2	
5	O-ring	EPDM	2	
4	Stem	SUS410	1	
3	Seat	EPDM	1	
2	Disc	PP	1	
1	Body	PP	1	
No	DESCRIPTION	MATERIALS	REQ'D	REMARKS

			APPR'D	H.F	TITLE	J10K Flanged-end (Wafer type) ValveDN: 40~100 A FP type electric actuated butterfly valve				
			CHK'D	K.Y						
			DESIGN							
			DRAWN	P.O						
MARK	DATE	BY	DATE	'16-10-07	SCALE	NON	DWG No.	FP-01QQE-AD7-EN		
REVISIONS										
MV-2546										



NIPPON VALVE CONTROLS, INC.