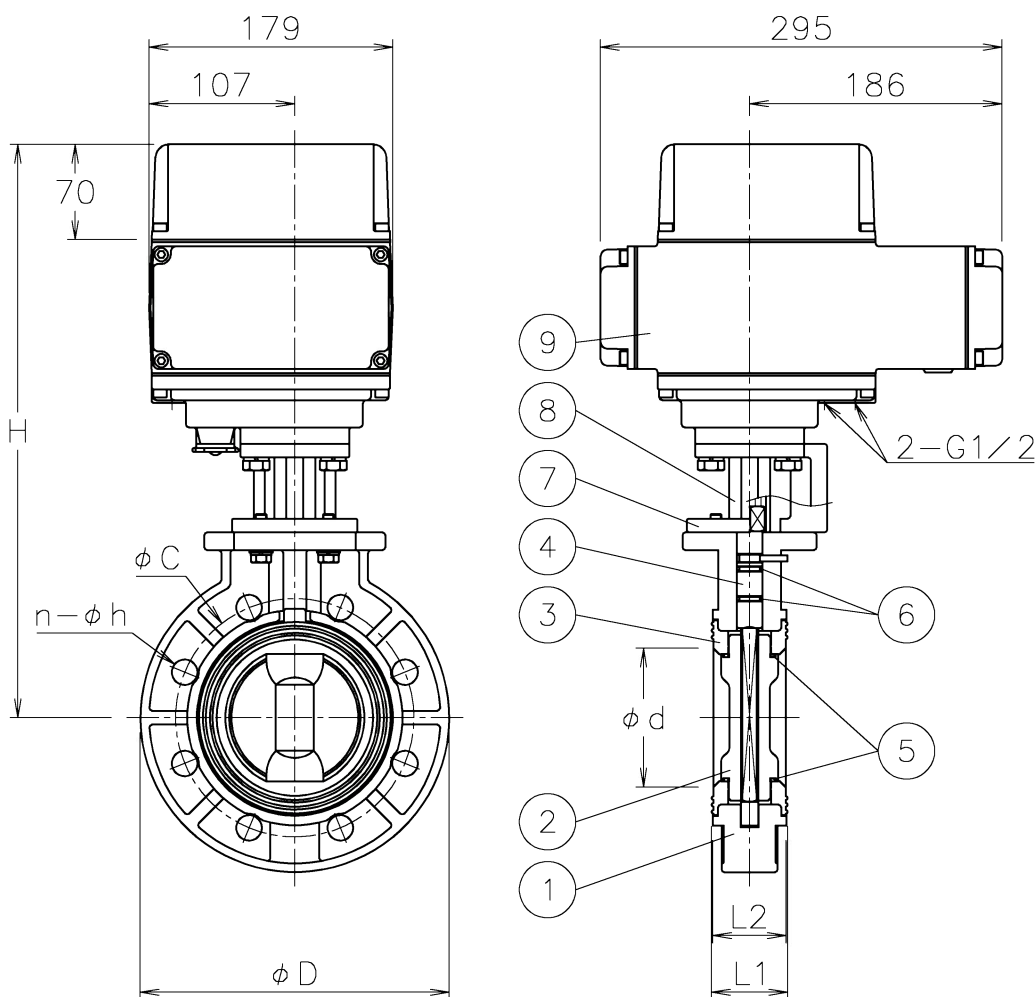


Valve DN	d	L1	L2	D	C	n-h	H	Weight (kg)	Cv	Actuator				Sizing code
										ABR-300	ABE-300	HBR-300	HBE-300	
40 A	50	38.5	35.5	146	105	4-19	379	11	75	ABR-300	ABE-300	HBR-300	HBE-300	0
50 A	57	42.5	38.5	163	120	4-19	386	11	123	ABR-300	ABE-300	HBR-300	HBE-300	0
65 A	70	46	44	182	140	4-19	397	11	267	ABR-300	ABE-300	HBR-300	HBE-300	0
80 A	80	46	43.5	198	150	8-19	399	12	368	ABR-700	ABE-700	HBR-700	HBE-700	0
100 A	103	56	54	227	175	8-19	421	13	487	ABR-700	ABE-700	HBR-700	HBE-700	0
125 A	129	68	62	252	210	8-23	469	15	845	-	-	HBR-02K	HBE-02K	0
150 A	150	70	65	285	240	8-23	485	16	1120	-	-	HBR-02K	HBE-02K	0
200 A	202	85	79	343	290	12-23	512	18	2340	-	-	HBR-02K	HBE-02K	0



NOTE


Attachment

·Cable gland(nylon), G 1/2, for φ6~12 cable

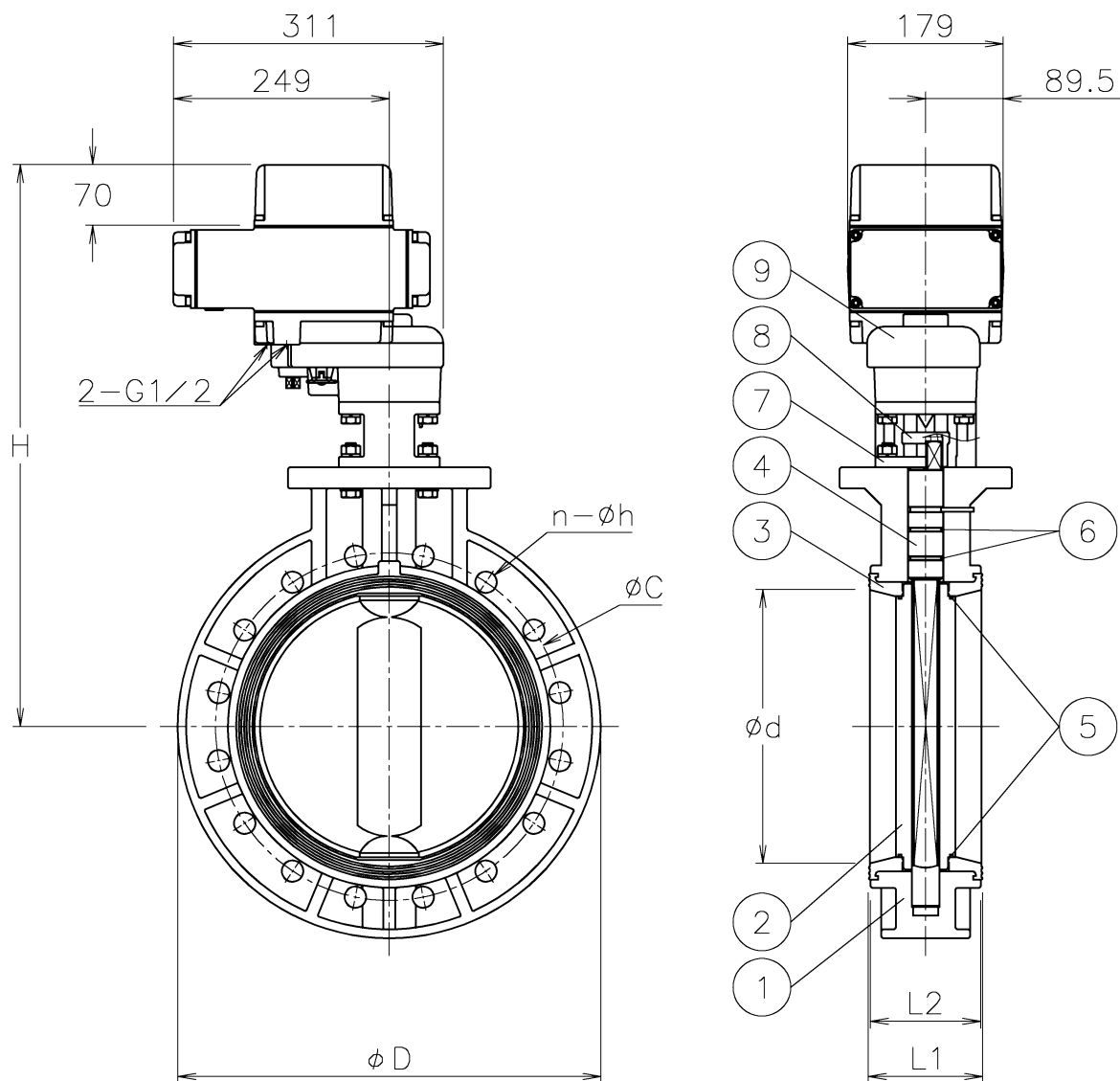
·Plug

9	Actuator	AC4C	1	
8	Joint	SCS13A	1	
7	Bracket	SCS13A	1	
6	O-ring	EPDM	2	
5	O-ring	EPDM	2	
4	Stem	SUS410	1	
3	Seat	EPDM	1	
2	Disc	PP	1	
1	Body	PP	1	

No	DESCRIPTION	MATERIALS	REQ'D	REMARKS
----	-------------	-----------	-------	---------

			APPR'D	H.F	TITLE	J10K Flanged-end (Wafer type) ValveDN: 40~200 A FP type electric actuated butterfly valve			
			CHK'D	K.Y					
			DESIGN		MODEL	ABRFP*01QQE		HBRFP*01QQE	
			DRAWN	P.O		ABEFP*01QQE		HBEFP*01QQE	
MARK	DATE	BY	DATE	'16-10-07	SCALE	NON	DWG No.	FP-01QQE-AB6-EN	
REVISIONS			 NIPPON VALVE CONTROLS, INC.						
MV-2546									

Valve DN	d	L1	L2	D	C	n-h	H	Weight (kg)	Cv	Actuator		Sizing code
200 A	202	85	79	343	290	12-23	553	24	2340	HBR-06K	HBE-06K	2
250 A	255	109	104	409	355	12-25	589	28	3580	HBR-06K	HBE-06K	0
300 A	310	131.5	127	487	400	16-25	647	33	5100	HBR-06K	HBE-06K	0




NOTE

Attachment

- Cable gland(nylon), G 1/2, for $\phi 6 \sim 12$ cable
- Plug

9	Actuator	AC4C	1	
8	Joint	SCS13A	1	
7	Bracket	SCS13A	1	
6	O-ring	EPDM	2	
5	O-ring	EPDM	2	
4	Stem	SUS410	1	
3	Seat	EPDM	1	
2	Disc	PP	1	
1	Body	PP	1	

No	DESCRIPTION	MATERIALS	REQ'D	REMARKS
----	-------------	-----------	-------	---------

			APPR'D	H.F	TITLE	J10K Flanged-end (Wafer type) ValveDN:200~300 A FP type electric actuated butterfly valve						
			CHK'D	K.Y								
			DESIGN		MODEL	HBRFP**1QQE HBEFP**1QQE						
			DRAWN	P.O								
MARK	DATE	BY	DATE	'16-10-07	SCALE	NON	DWG No.	FP-*1QQE-HB3-EN				
REVISIONS			 NIPPON VALVE CONTROLS, INC.									
MV-2546												