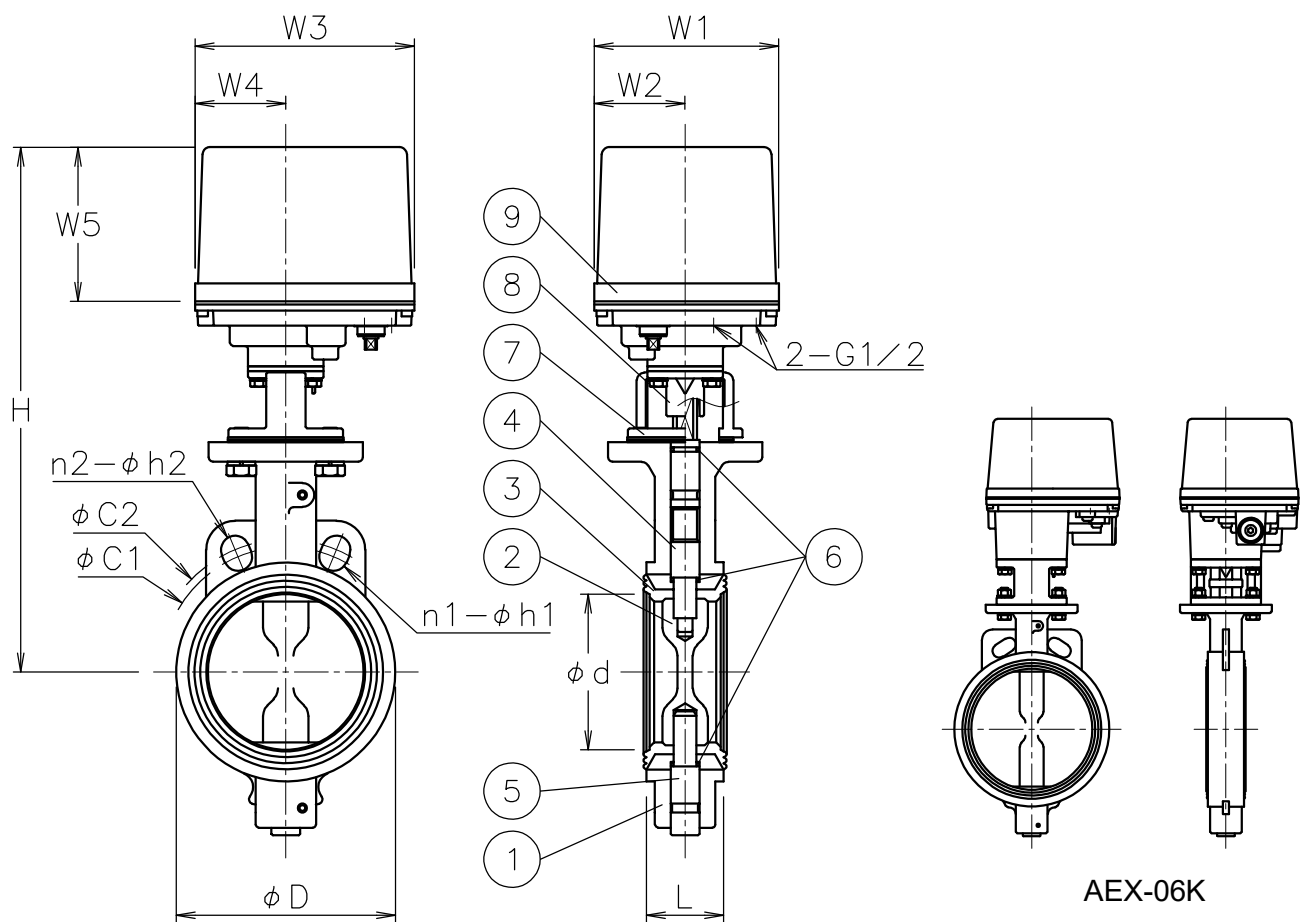


Valve DN	d	L	D	J5K		J10K		W1	W2	W3	W4	W5	H	Weight (kg)	Cv	Actuator	Sizing code
				C1	n1-h1	C2	n2-h2										
50 A	52	41	95	105	4-15	120	4-19	122	60	145	60	102	273	5.2	159	AEX-360	0
65 A	64	44	108	130	4-15	140	4-19	122	60	145	60	102	290	5.7	266	AEX-360	0
80 A	78	44	125	145	4-19	150	8-19	122	60	145	60	102	313	6.2	457	AEX-700	0
100 A	103	51	145	165	8-19	175	8-19	122	60	145	60	102	347	7.2	860	AEX-700	0
125 A	129	54	186	200	8-19	210	8-23	160	97	175	63	115	399	15	1320	AEX-02K	0
150 A	154	54	210	230	8-19	240	8-23	160	97	175	63	115	412	16	2020	AEX-02K	0
200 A	200	60	256	280	8-23	290	12-23	160	97	175	63	115	453	23	3540	AEX-02K	1
								195	75	220	75	130	513	29		AEX-06K	0



NOTE  
Attachment  
·Cable gland (nylon), G 1/2, for φ6~12 cable  
·Plug

9	Actuator	Aluminum alloy die-cast cover	1	
8	Joint	SUS304/SCS13A	1	
7	Bracket	SCS13A	1	
6	O-ring	NBR	3	
5	Pin	SUS403	1	
4	Stem	SUS403	1	
3	Seat	EPDM	1	
2	Disc	SUSF316/SCS14	1	
1	Body	FCD450	1	
No	DESCRIPTION	MATERIALS	REQ'D	REMARKS

			APPR'D	H.F	TITLE	J5K/10K Flanged-end (Wafer type) ValveDN: 50~200 A FN type electric actuated control valve			
			CHK'D	K.Y					
			DESIGN		MODEL	AEXFN**1DUE			
			DRAWN	P.O					
MARK	DATE	BY	DATE	'16-04-01	SCALE	NON	DWG No.	FN-*1DUE-EX6-EN	
REVISIONS									
MV-2506									