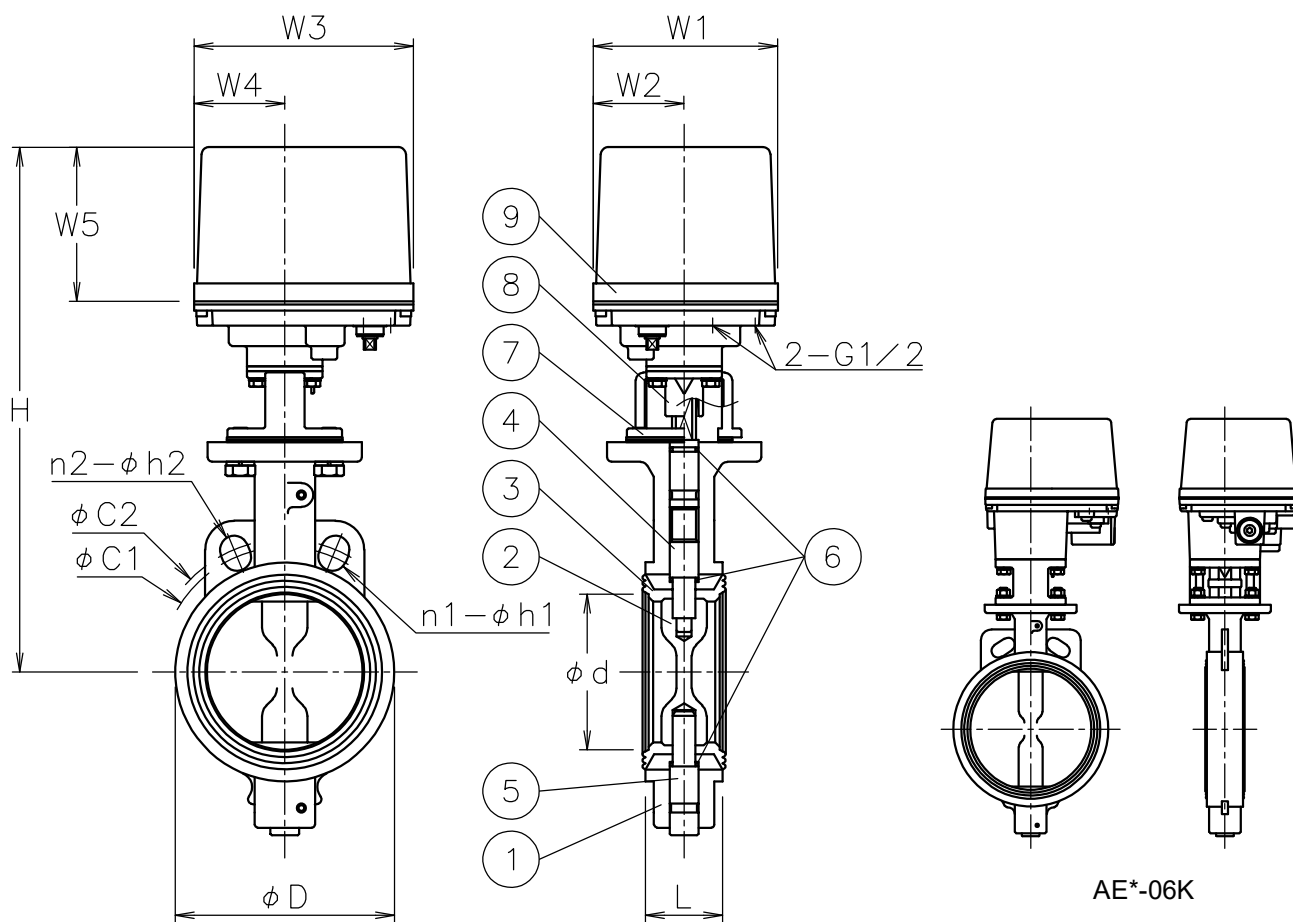


| Valve DN | d | L | D | J5K | | J10K | | W1 | W2 | W3 | W4 | W5 | H | Weight (kg) | Cv | Actuator | | Sizing code |
|----------|-----|----|-----|-----|-------|------|-------|-----|----|-----|----|-----|-----|-------------|------|----------|---------|-------------|
| | | | | C1 | n1-h1 | C2 | n2-h2 | | | | | | | | | AE1-300 | AE2-300 | |
| 50 A | 52 | 41 | 95 | 105 | 4-15 | 120 | 4-19 | 122 | 60 | 145 | 60 | 102 | 273 | 5.4 | 159 | AE1-300 | AE2-300 | 0 |
| 65 A | 64 | 44 | 108 | 130 | 4-15 | 140 | 4-19 | 122 | 60 | 145 | 60 | 102 | 290 | 5.9 | 266 | AE1-300 | AE2-300 | 0 |
| 80 A | 78 | 44 | 125 | 145 | 4-19 | 150 | 8-19 | 122 | 60 | 145 | 60 | 102 | 313 | 6.2 | 457 | AE1-600 | AE2-600 | 0 |
| 100 A | 103 | 51 | 145 | 165 | 8-19 | 175 | 8-19 | 122 | 60 | 145 | 60 | 102 | 347 | 7.2 | 860 | AE1-600 | AE2-600 | 0 |
| 125 A | 129 | 54 | 186 | 200 | 8-19 | 210 | 8-23 | 160 | 97 | 175 | 63 | 115 | 399 | 15 | 1320 | AE1-02K | AE2-02K | 0 |
| 150 A | 154 | 54 | 210 | 230 | 8-19 | 240 | 8-23 | 160 | 97 | 175 | 63 | 115 | 412 | 16 | 2020 | AE1-02K | AE2-02K | 0 |
| 200 A | 200 | 60 | 256 | 280 | 8-23 | 290 | 12-23 | 160 | 97 | 175 | 63 | 115 | 453 | 24 | 3540 | AE1-02K | AE2-02K | 1 |
| | | | | | | | | 195 | 75 | 220 | 75 | 130 | 513 | 29 | | AE1-06K | AE2-06K | 0 |



AE*-06K

NOTE

Attachment
 ·Cable gland(nylon), G 1/2, for φ6~12 cable
 ·Plug

| 9 | Actuator | Aluminum alloy die-cast cover | 1 | |
|----|-------------|-------------------------------|-------|---------|
| 8 | Joint | SUS304/SCS13A | 1 | |
| 7 | Bracket | SCS13A | 1 | |
| 6 | O-ring | NBR | 3 | |
| 5 | Pin | SUS403 | 1 | |
| 4 | Stem | SUS403 | 1 | |
| 3 | Seat | NBR | 1 | |
| 2 | Disc | SUSF316/SCS14 | 1 | |
| 1 | Body | FCD450 | 1 | |
| No | DESCRIPTION | MATERIALS | REQ'D | REMARKS |

| | | | | | | | | | | | | | | | | | | | |
|-----------|------|----|--------|-----------|-------|-------------|---------|-----------------|--|---|--|--|--|--|--|--|--|--|--|
| | | | APPR'D | H.F | TITLE | | | | | ValveDN: 50~200 A | | | | | | | | | |
| | | | CHK'D | K.Y | | | | | | J5K/10K Flanged-end (Wafer type) FN type electric actuated butterfly valve | | | | | | | | | |
| | | | DESIGN | | | | | | | | | | | | | | | | |
| | | | DRAWN | P.O | MODEL | AE1FN**1DUB | | AE2FN**1DUB | | | | | | | | | | | |
| MARK | DATE | BY | DATE | '16-04-01 | SCALE | NON | DWG No. | FN-*1DUB-AE6-EN | | | | | | | | | | | |
| REVISIONS | | | | | | | | | | | | | | | | | | | |
| MV-2506 | | | | | | | | | | | | | | | | | | | |