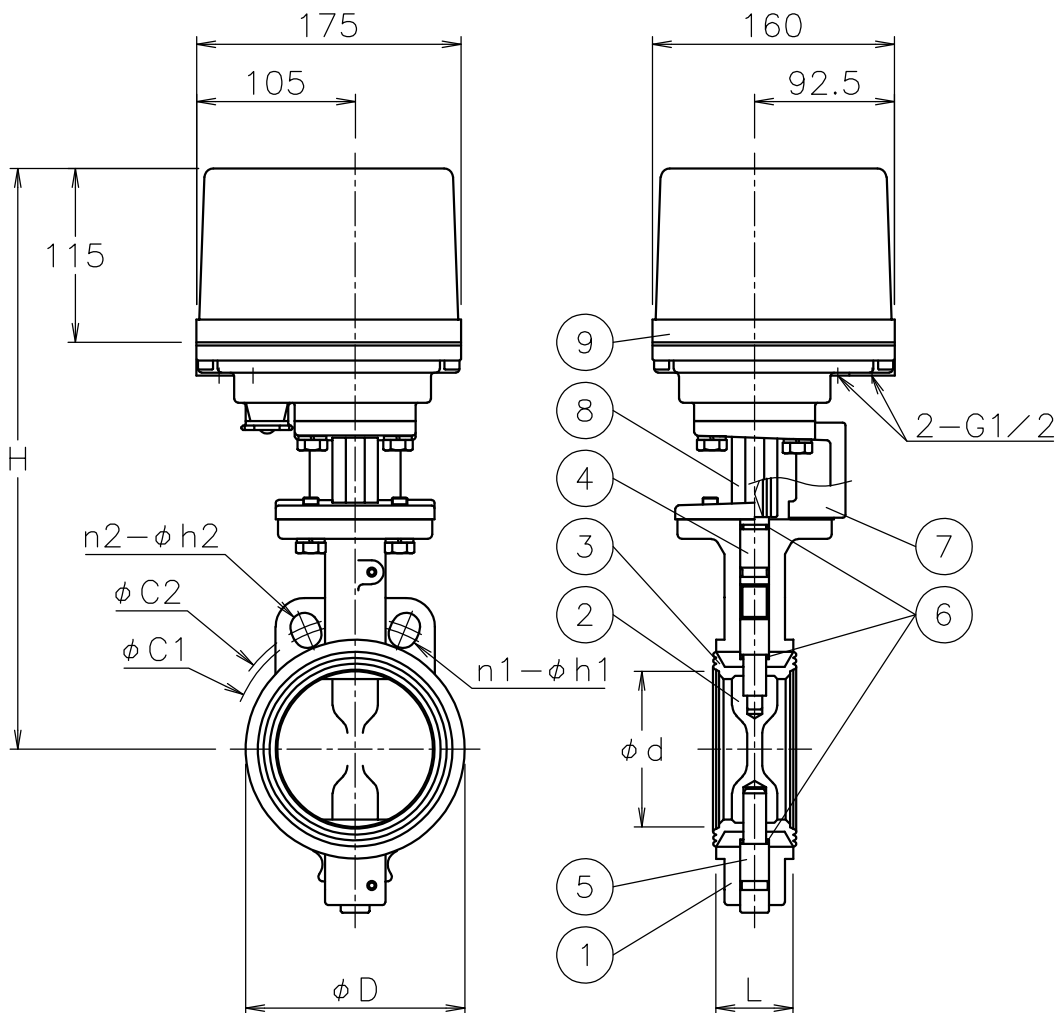


Valve DN	d	L	D	J5K		J10K		H	Weight (kg)	Cv	Actuator			Sizing code
				C1	n1-h1	C2	n2-h2				AD1-300	AD2-300	AD0-300	
50 A	52	41	95	105	4-15	120	4-19	332	8.5	159	AD1-300	AD2-300	AD0-300	0
65 A	64	44	108	130	4-15	140	4-19	349	9	266	AD1-300	AD2-300	AD0-300	0
80 A	78	44	125	145	4-19	150	8-19	356	9.2	457	AD1-300	AD2-300	AD0-300	1
								356	9.4		AD1-700	AD2-700	AD0-700	0
100 A	103	51	145	165	8-19	175	8-19	384	11	860	AD1-700	AD2-700	AD0-700	0
125 A	129	54	186	200	8-19	210	8-23	384	13	1320	AD1-700	AD2-700	AD0-700	1




NOTE

Attachment

·Cable gland(nylon), G 1/2, for φ6~12 cable

·Plug

9	Actuator	Aluminum alloy die-cast cover	1	
8	Joint	SCS13A	1	
7	Bracket	ADC12	1	
6	O-ring	NBR	3	
5	Pin	SUS403	1	
4	Stem	SUS403	1	
3	Seat	NBR	1	
2	Disc	SUSF316	1	
1	Body	FCD450	1	
No	DESCRIPTION	MATERIALS	REQ'D	REMARKS

			APPR'D	H.F	TITLE	J5K/10K Flanged-end (Wafer type) ValveDN: 50~125 A FN type electric actuated butterfly valve				
			CHK'D	K.Y						
			DESIGN		MODEL	AD1FN**1DUB AD2FN**1DUB AD0FN0*1DUB				
			DRAWN	P.O						
MARK	DATE	BY	DATE	'16-10-17	SCALE	NON	DWG No.	FN-*1DUB-AD5-EN		
REVISIONS			 NIPPON VALVE CONTROLS, INC.							
MV-2552										