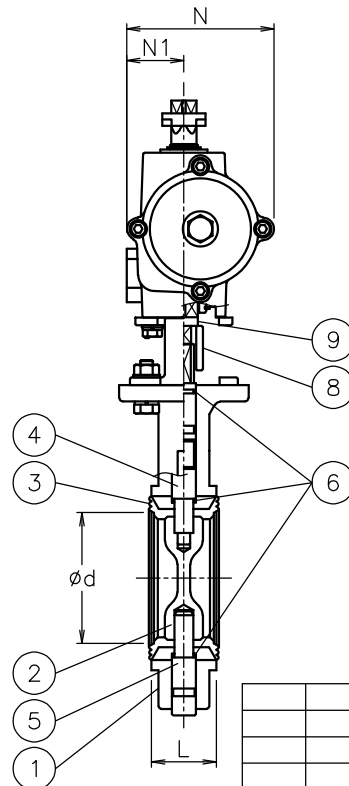
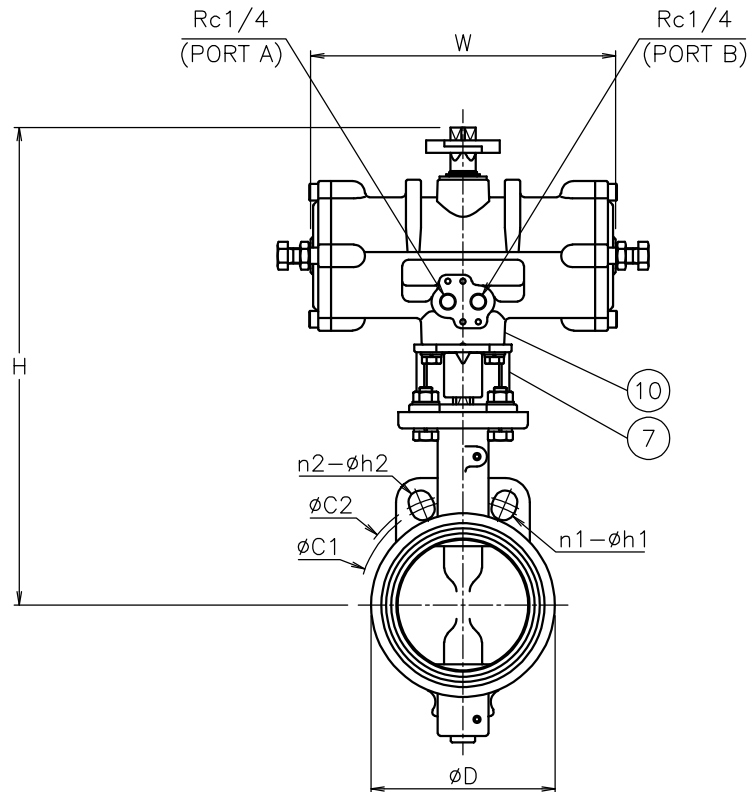


| Size [mm] | d | L | D | JIS 5K | | JIS 10K | | W | N | N1 | H | Weight [kg] | Cv | Actuator | Sizing code |
|-----------|-----|----|-----|--------|-------|---------|-------|-----|---------|----|-----|-------------|------|----------|-------------|
| | | | | C1 | n1-h1 | C2 | n2-h2 | | | | | | | | |
| 50 | 52 | 41 | 95 | 105 | 4-15 | 120 | 4-19 | 170 | 82 | 36 | 267 | 4.2 | 159 | TAD-050 | 0 |
| | | | | 204 | 95 | 38 | 282 | 5 | TAD-063 | 2 | | | | | |
| 65 | 64 | 44 | 108 | 130 | 4-15 | 140 | 4-19 | 204 | 95 | 38 | 299 | 5.5 | 266 | TAD-063 | 0 |
| | | | | 204 | 95 | 38 | 306 | 5.7 | TAD-063 | 0 | | | | | |
| 80 | 78 | 44 | 125 | 145 | 4-19 | 150 | 8-19 | 204 | 95 | 38 | 306 | 5.7 | 457 | TAD-063 | 0 |
| | | | | 240 | 116 | 45 | 348 | 7.4 | TAD-080 | 2 | | | | | |
| 100 | 103 | 51 | 145 | 165 | 8-19 | 175 | 8-19 | 240 | 116 | 45 | 376 | 8.3 | 860 | TAD-080 | 0 |
| | | | | 294 | 143 | 57 | 407 | 12 | TAD-100 | 2 | | | | | |
| 125 | 129 | 54 | 186 | 200 | 8-19 | 210 | 8-23 | 240 | 116 | 45 | 376 | 11 | 1320 | TAD-080 | 0 |
| | | | | 294 | 143 | 57 | 407 | 14 | TAD-100 | 2 | | | | | |
| 150 | 154 | 54 | 210 | 230 | 8-19 | 240 | 8-23 | 294 | 143 | 57 | 420 | 15 | 2020 | TAD-100 | 0 |
| 200 | 200 | 60 | 256 | 280 | 8-23 | 290 | 12-23 | 366 | 150 | 60 | 486 | 26 | 3540 | TAD-125 | 0 |



NOTE

(a) Electroless nickel plating

- 1) Air supply: 0.4 to 0.5Mpa. Max 0.7Mpa.
- 2) Actuator operation
Air to port A: SHUT.
Air to port B: OPEN.

| No | DESCRIPTION | MATERIALS | REQ'D | REMARKS |
|----|-------------|---------------|-------|---------|
| 10 | Actuator | | 1 | TAD |
| 9 | Joint | SUS304 | 1 | |
| 8 | Joint | SUS304/SCS13A | 1 | |
| 7 | Bracket | SCS13A | 1 | |
| 6 | O-ring | NBR | 3 | |
| 5 | Pin | SUS403 | 1 | |
| 4 | Stem | SUS403 | 1 | |
| 3 | Seat | EPDM | 1 | |
| 2 | Disc | FCD450 | 1 | (a) |
| 1 | Body | FCD450 | 1 | |

| MARK | DATE | BY | DATE | SCALE | NON | DWG No. | FN-9*1DDE-TA6-EN |
|-----------|------|-------|--|-------|-----|---------|------------------|
| | | | | | | | |
| REVISIONS | | | | | | | |
| MV-2991 | | | | | | | |
| APPR'D | H.F | TITLE | J5K/10K Flanged-end (wafer) (double-acting type) FN type pneumatic actuated butterfly valve | | | | |
| CHK'D | K.Y | MODEL | TADFN9*1DDE | | | | |
| DESIGN | S.O | | | | | | |
| DRAWN | | | | | | | |