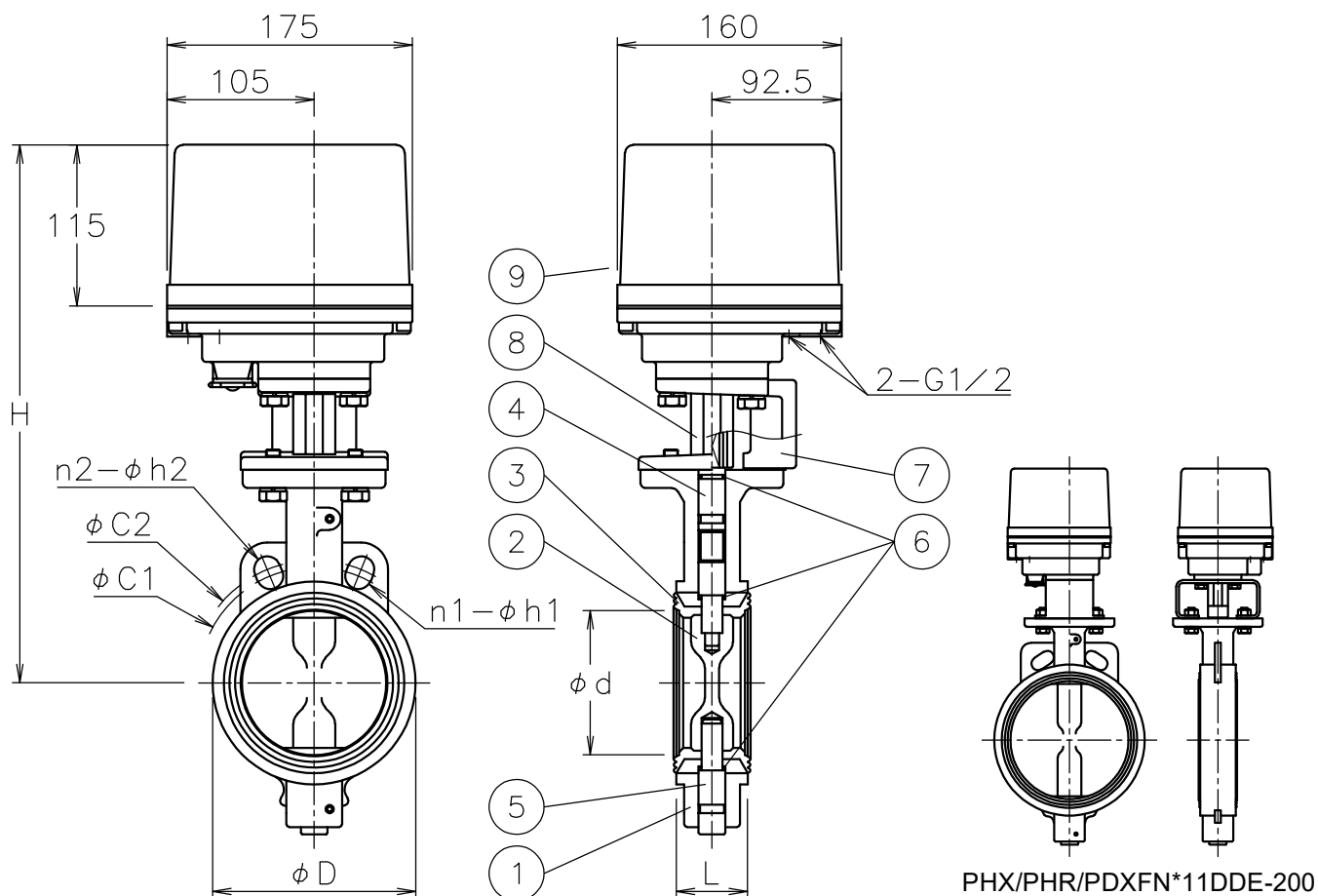


Valve DN	d	L	D	J5K		J10K		H	Weight (kg)	Cv	Actuator			Sizing code
				C1	n1-h1	C2	n2-h2				PHX-300	PHR-300	PDX-300	
50 A	52	41	95	105	4-15	120	4-19	332	8.5	159	PHX-300	PHR-300	PDX-300	0
65 A	64	44	108	130	4-15	140	4-19	349	9	266	PHX-300	PHR-300	PDX-300	0
80 A	78	44	125	145	4-19	150	8-19	356	9.2	457	PHX-300	PHR-300	PDX-300	1
								356	9.4		PHX-700	PHR-700	PDX-700	0
100 A	103	51	145	165	8-19	175	8-19	384	11	860	PHX-700	PHR-700	PDX-700	0
125 A	129	54	186	200	8-19	210	8-23	384	13	1320	PHX-700	PHR-700	PDX-700	1
								406	15		PHX-02K	PHR-02K	PDX-02K	0
150 A	154	54	210	230	8-19	240	8-23	419	16	2020	PHX-02K	PHR-02K	PDX-02K	0
200 A	200	60	256	280	8-23	290	12-23	460	23	3540	PHX-02K	PHR-02K	PDX-02K	1

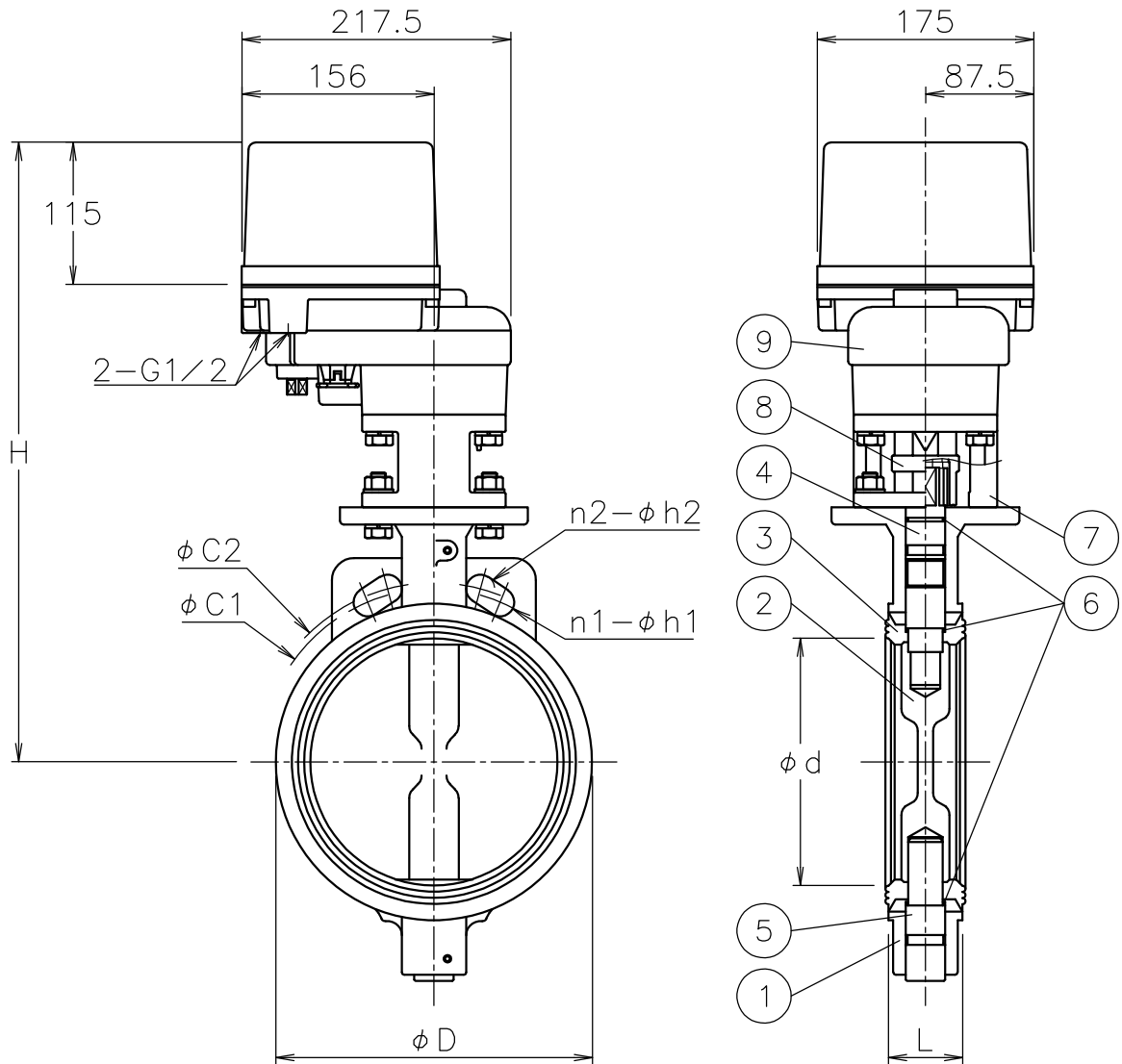


NOTE
Attachment
·Cable gland(nylon), G 1/2, for φ6~12 cable
·Plug

9	Actuator	Aluminum alloy die-cast cover	1	
8	Joint	SCS13A	1	
7	Bracket	ADC12/SUS304	1	
6	O-ring	NBR	3	
5	Pin	SUS403	1	
4	Stem	SUS403	1	
3	Seat	EPDM	1	
2	Disc	FCD450	1	ELp-Fe/Ni
1	Body	FCD450	1	
No	DESCRIPTION	MATERIALS	REQ'D	REMARKS


			APPR'D	H.F	TITLE	J5K/10K Flanged-end (Wafer type) ValveDN: 50~200 A				
			CHK'D	K.Y		FN type electric actuated control valve				
			DESIGN		MODEL	PHXFN**1DDE PHRFN**1DDE PDXFN**1DDE				
			DRAWN	P.O						
MARK	DATE	BY	DATE	'16-10-17	SCALE	NON	DWG No.	FN-*1DDE-PXA6-EN		
REVISIONS										
MV-2552										

Valve DN	d	L	D	J5K		J10K		H	Weight (kg)	Cv	Actuator			Sizing code
				C1	n1-h1	C2	n2-h2				PHX-06K	PHR-06K	PDX-06K	
200 A	200	60	256	280	8-23	290	12-23	501	29	3540	PHX-06K	PHR-06K	PDX-06K	0



NOTE
Attachment
·Cable gland(nylon), G 1/2,for phi6~12 cable
·Plug

9	Actuator	Aluminum alloy die-cast cover	1	
8	Joint	SCS13A	1	
7	Bracket	SCS13A	1	
6	O-ring	NBR	3	
5	Pin	SUS403	1	
4	Stem	SUS403	1	
3	Seat	EPDM	1	
2	Disc	FCD450	1	ELp-Fe/Ni
1	Body	FCD450	1	
No	DESCRIPTION	MATERIALS	REQ'D	REMARKS

			APPR'D	H.F	TITLE	J5K/10K Flanged-end (Wafer type) ValveDN: 200 A FN type electric actuated control valve			
			CHK'D	K.Y					
			DESIGN		MODEL	PHXFN*01DDE PHRFN*01DDE PDXFN*01DDE			
			DRAWN	P.O					
MARK	DATE	BY	DATE	'16-10-17	SCALE	NON	DWG No.	FN-01DDE-PXB3-EN	
REVISIONS			 NIPPON VALVE CONTROLS, INC.						
MV-2552									