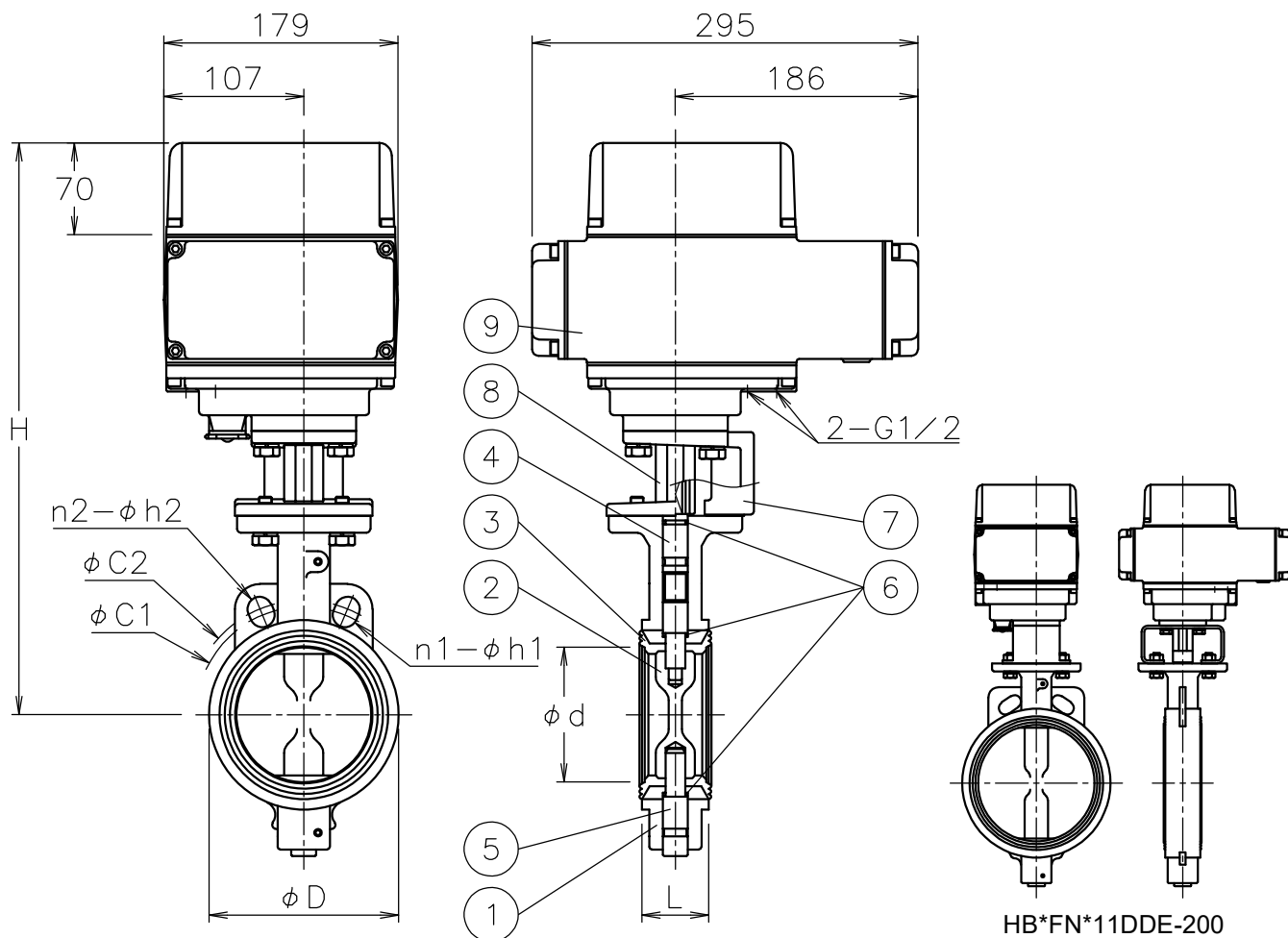


| Valve DN | d | L | D | J5K | | J10K | | H | Weight (kg) | Cv | Actuator | | | | Sizing code |
|----------|-----|----|-----|-----|-------|------|-------|-----|-------------|------|----------|---------|---------|---------|-------------|
| | | | | C1 | n1-h1 | C2 | n2-h2 | | | | ABR-300 | ABE-300 | HBR-300 | HBE-300 | |
| 50 A | 52 | 41 | 95 | 105 | 4-15 | 120 | 4-19 | 385 | 12 | 159 | ABR-300 | ABE-300 | HBR-300 | HBE-300 | 0 |
| 65 A | 64 | 44 | 108 | 130 | 4-15 | 140 | 4-19 | 402 | 13 | 266 | ABR-300 | ABE-300 | HBR-300 | HBE-300 | 0 |
| 80 A | 78 | 44 | 125 | 145 | 4-19 | 150 | 8-19 | 409 | 13 | 457 | ABR-300 | ABE-300 | HBR-300 | HBE-300 | 1 |
| | | | | | | | | 409 | 13 | | ABR-700 | ABE-700 | HBR-700 | HBE-700 | 0 |
| 100 A | 103 | 51 | 145 | 165 | 8-19 | 175 | 8-19 | 437 | 14 | 860 | ABR-700 | ABE-700 | HBR-700 | HBE-700 | 0 |
| 125 A | 129 | 54 | 186 | 200 | 8-19 | 210 | 8-23 | 437 | 16 | 1320 | ABR-700 | ABE-700 | HBR-700 | HBE-700 | 1 |
| | | | | | | | | 459 | 18 | | - | - | HBR-02K | HBE-02K | 0 |
| 150 A | 154 | 54 | 210 | 230 | 8-19 | 240 | 8-23 | 472 | 19 | 2020 | - | - | HBR-02K | HBE-02K | 0 |
| 200 A | 200 | 60 | 256 | 280 | 8-23 | 290 | 12-23 | 513 | 26 | 3540 | - | - | HBR-02K | HBE-02K | 1 |



NOTE

Attachment

- Cable gland(nylon), G 1/2, for φ6~12 cable
- Plug

| 9 | Actuator | AC4C | 1 | |
|----|-------------|--------------|-------|-----------|
| 8 | Joint | SCS13A | 1 | |
| 7 | Bracket | ADC12/SUS304 | 1 | |
| 6 | O-ring | NBR | 3 | |
| 5 | Pin | SUS403 | 1 | |
| 4 | Stem | SUS403 | 1 | |
| 3 | Seat | EPDM | 1 | |
| 2 | Disc | FCD450 | 1 | ELp-Fe/Ni |
| 1 | Body | FCD450 | 1 | |
| No | DESCRIPTION | MATERIALS | REQ'D | REMARKS |

| | | | | | | | | | |
|-----------|------|----|--------|-----------|-------|--|---------|-----------------|--|
| | | | APPR'D | H.F | TITLE | J5K/10K Flanged-end (Wafer type) ValveDN: 50~200 A FN type electric emergency shut off butterfly valve | | | |
| | | | CHK'D | K.Y | | | | | |
| | | | DESIGN | | MODEL | ABRFN**1DDE | | HBRFN**1DDE | |
| | | | DRAWN | P.O | | ABEFN**1DDE | | HBEFN**1DDE | |
| MARK | DATE | BY | DATE | '16-10-17 | SCALE | NON | DWG No. | FN-*1DDE-AB4-EN | |
| REVISIONS | | | | | | | | | |
| MV-2552 | | | | | | | | | |