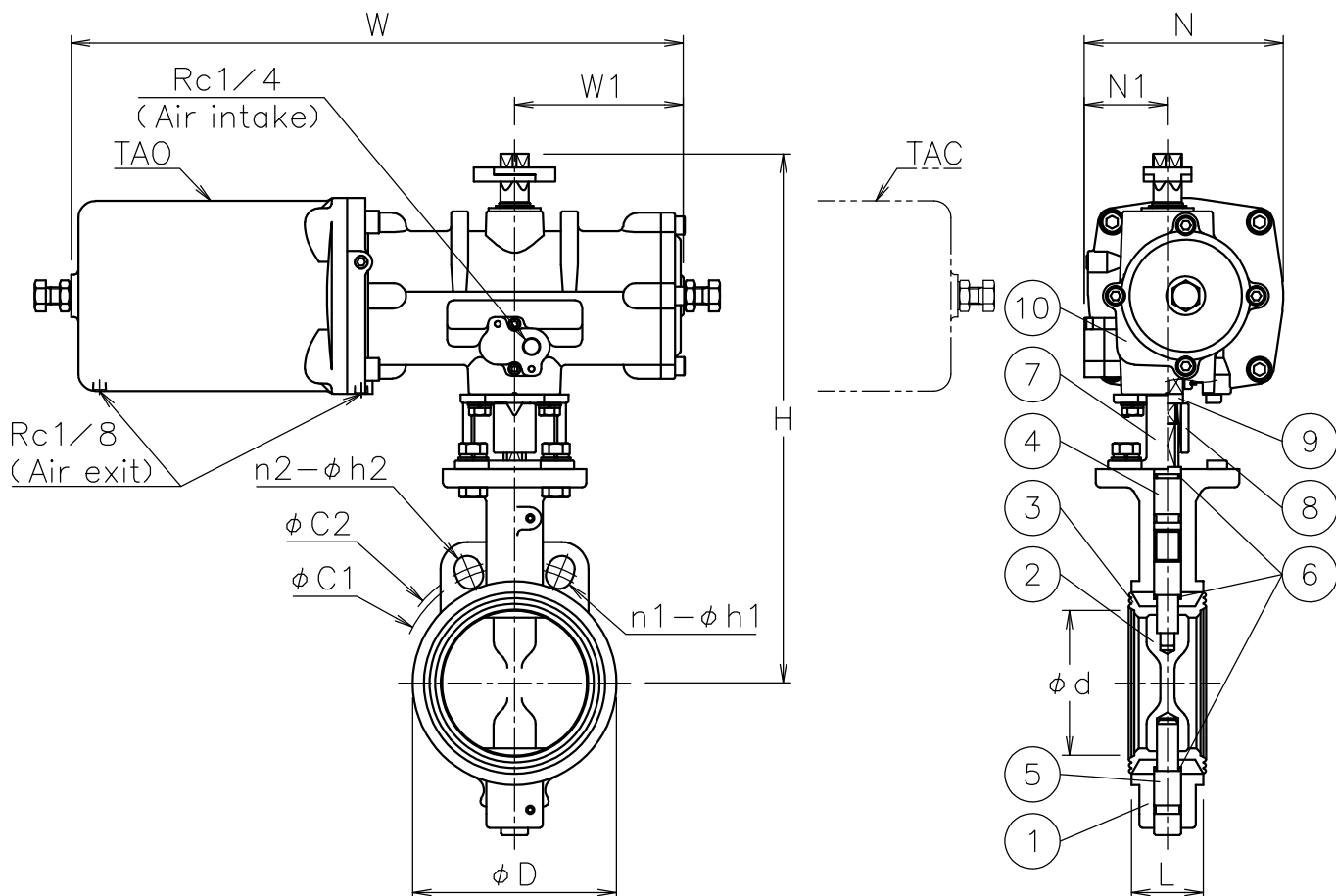


Valve DN	d	L	D	J5K		J10K		W	W1	N	N1	H	Weight (kg)	Cv	Actuator		Sizing code
				C1	n1-h1	C2	n2-h2								TAO	TAC	
50 A	52	41	95	105	4-15	120	4-19	305	85	103	50	267	5.7	159	TAO-050	TAC-050	0
65 A	64	44	108	130	4-15	140	4-19	367	102	119	52	299	8.1	266	TAO-063	TAC-063	0
80 A	78	44	125	145	4-19	150	8-19	367	102	119	52	306	8.3	457	TAO-063	TAC-063	0
								435	120	142	59	348			13	TAO-080	TAC-080
100 A	103	51	145	165	8-19	175	8-19	435	120	142	59	376	14	860	TAO-080	TAC-080	0
125 A	129	54	186	200	8-19	210	8-23	435	120	142	59	376	16	1320	TAO-080	TAC-080	0
								530	147	174	71	407			23	TAO-100	TAC-100
150 A	154	54	210	230	8-19	240	8-23	530	147	174	71	420	24	2020	TAO-100	TAC-100	0
200 A	200	60	256	280	8-23	290	12-23	688	183	193	74	486	43	3540	TAO-125	TAC-125	0



**NOTE**

- Air supply : 0.4~0.5MPa max 0.7MPa
- Actuator operation  
 TAO serie  
 Air to intake port : OPEN. Spring return : SHUT.  
 TAC serie  
 Air to intake port : SHUT. Spring return : OPEN.  
 ※ This drawing is TAO.

10	Actuator		1	TAO/C
9	Joint	SUS304	1	
8	Joint	SUS304/SCS13A	1	
7	Bracket	SCS13A	1	
6	O-ring	NBR	3	
5	Pin	SUS403	1	
4	Stem	SUS403	1	
3	Seat	NBR	1	
2	Disc	FCD450	1	ELp-Fe/Ni
1	Body	FCD450	1	
No	DESCRIPTION	MATERIALS	REQ'D	REMARKS

			APPR'D	H.F	TITLE	J5K/10K Flanged-end ValveDN: 50~200 A		
			CHK'D	K.Y		(Wafer type)(single-acting type)		
			DESIGN			FN type pneumatic actuated butterfly valve		
			DRAWN	P.O	MODEL	TAOFN9*1DDB	TACFN9*1DDB	
MARK	DATE	BY	DATE	'16-10-17	SCALE	NON	DWG No.	FN-9*1DDB-TD4-EN
REVISIONS								
MV-2552								