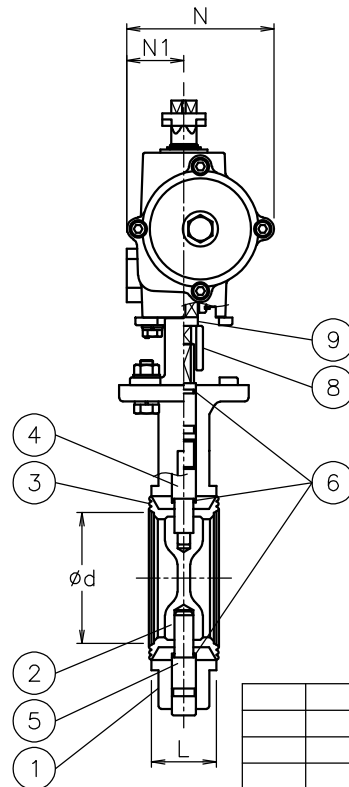
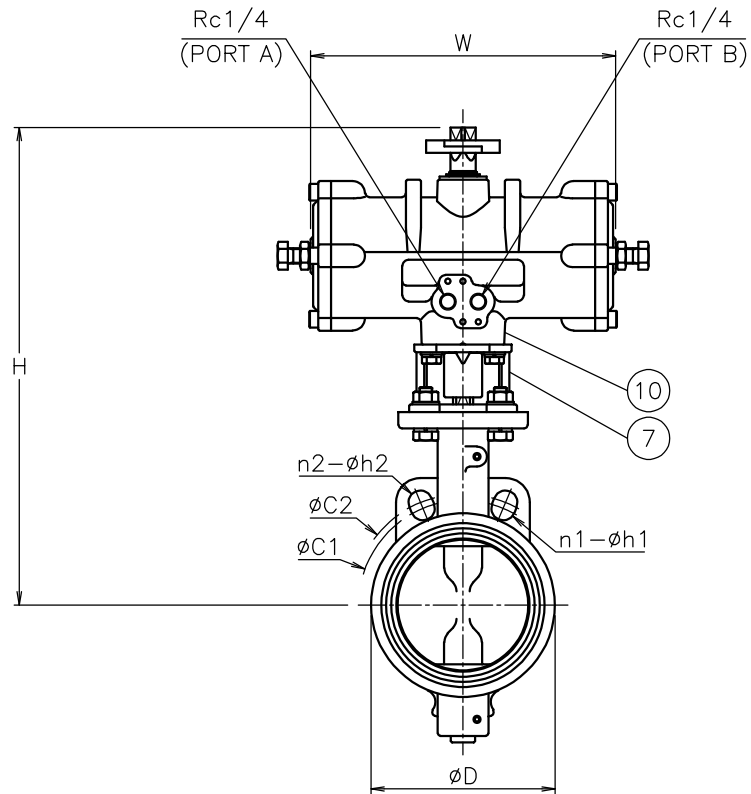


Size [mm]	d	L	D	JIS 5K		JIS 10K		W	N	N1	H	Weight [kg]	Cv	Actuator	Sizing code
				C1	n1-h1	C2	n2-h2								
50	52	41	95	105	4-15	120	4-19	170	82	36	267	4.2	159	TAD-050	0
				204	95	38	282	5	TAD-063	2					
65	64	44	108	130	4-15	140	4-19	204	95	38	299	5.5	266	TAD-063	0
				204	95	38	306	5.7	TAD-063	0					
80	78	44	125	145	4-19	150	8-19	204	95	38	306	5.7	457	TAD-063	0
				240	116	45	348	7.4	TAD-080	2					
100	103	51	145	165	8-19	175	8-19	240	116	45	376	8.3	860	TAD-080	0
				294	143	57	407	12	TAD-100	2					
125	129	54	186	200	8-19	210	8-23	240	116	45	376	11	1320	TAD-080	0
				294	143	57	407	14	TAD-100	2					
150	154	54	210	230	8-19	240	8-23	294	143	57	420	15	2020	TAD-100	0
200	200	60	256	280	8-23	290	12-23	366	150	60	486	26	3540	TAD-125	0



**NOTE**

(a) Electroless nickel plating

- 1) Air supply: 0.4 to 0.5Mpa. Max 0.7Mpa.
- 2) Actuator operation  
Air to port A: SHUT.  
Air to port B: OPEN.

No	DESCRIPTION	MATERIALS	REQ'D	REMARKS
10	Actuator		1	TAD
9	Joint	SUS304	1	
8	Joint	SUS304/SCS13A	1	
7	Bracket	SCS13A	1	
6	O-ring	NBR	3	
5	Pin	SUS403	1	
4	Stem	SUS403	1	
3	Seat	NBR	1	
2	Disc	FCD450	1	(a)
1	Body	FCD450	1	

MARK	DATE	BY	DATE	SCALE	NON	DWG No.	FN-9*1DDB-TA6-EN
REVISIONS				APPR'D	H.F	TITLE	J5K/10K Flanged-end (wafer) (double-acting type) FN type pneumatic actuated butterfly valve
MV-2991				CHK'D	K.Y	MODEL	TADFN9*1DDB
				DESIGN	S.O		
				DRAWN	S.O		